

LE1000 Electric Fireplace

Information Sheet for Builders and Architects

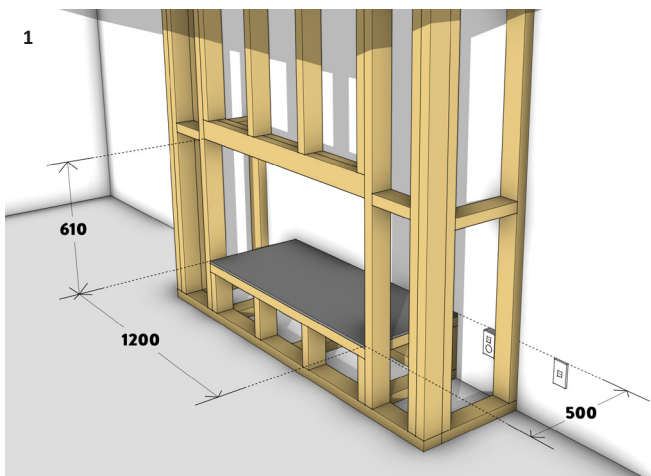
FIRE BY **escea.**

SPECIFICATIONS

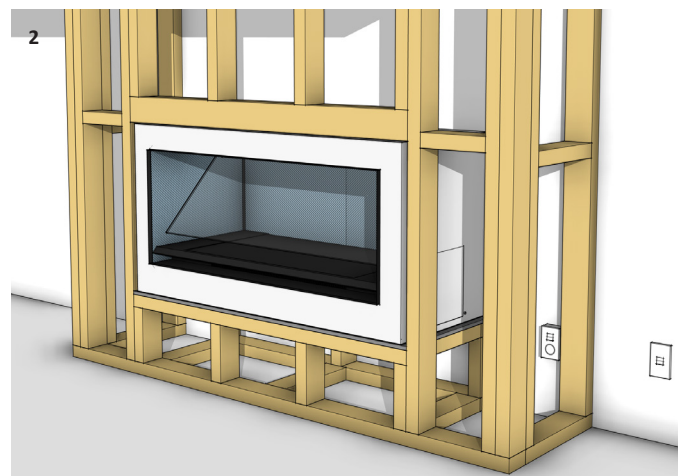
Heat Output	1.5kW or 3kW
Power Consumption	3.45 kW @15A 230V ~ 50Hz
Operation	Thermostatic Bluetooth remote control
Appliance Weight	70kg
Electrical Connections Access Point	Bottom RH side or Bottom RH back
Clearance to Combustibles	Zero clearance from appliance surfaces
Service Access Hatch	Not Required
Cavity Wall Venting	Not Required
Certification/Compliance	AS/NZS 60335.1 and AS/NZS 60335.2.30
Data Badge	Inside appliance, upper left corner



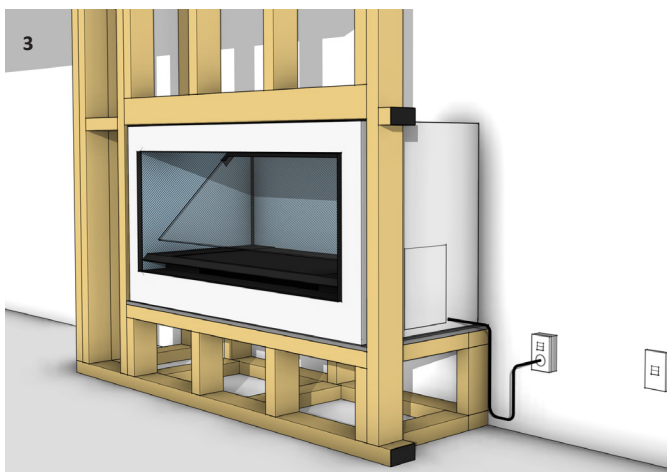
CAVITY INSTALLATION OPTION



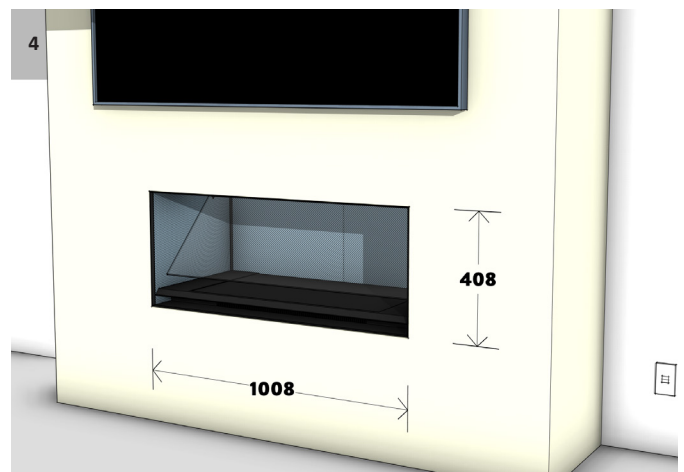
Build the chimney framework with consideration to the minimum cavity opening requirements (1200mm W x 610mm H x 500mm D). Ensure a continuous base for the fireplace.



Install the appliance into the preformed cavity opening and secure it to the base. Ensure the fireplace is flush with the framework.



Provide mains power connection and an accessible isolation switch. Framework has been removed for clarity.



Attach wall linings to the framework and fireplace, maintaining a 3mm gap from the fireplace trim. Follow the provided wall lining cutout dimensions above. Complete the project by adding additional finishes or fixtures.

CAVITY OPTIONS

The Escea LE-Series Electric Fire is an indoor holographic projection fireplace designed to be built into a false cavity. It is versatile for internal installations in different configurations. It fits beneath counters or cabinetry with a capped framework at the minimum cavity height. The cavity can be made from various materials, both combustible and non-combustible. The interior of the cavity does not need to be lined.

HEATING OPTIONS

The appliance can be set up to supply 1.5 kW or 3 kW maximum heat output. A dedicated 15A circuit is required to run the appliance at 3 kW.

FIREPLACE BASE

Install the LE-Series Electric Fire on a minimum 12mm firm, continuous surface like a concrete floor, plywood, or compressed cement sheet. Seismically restrain the fireplace to its base, using structural fixings suitable for the location. Use the brackets supplied with the fireplace.

TV AND MANTEL CLEARANCE

Combustible mantels, TV's or any electrical equipment can be installed at **any height above** the LE-Series fireplace opening. When mounting a TV or electrical appliance above a fireplace, this can be completed surface-mounted or recessed. A mantel is not required. When recessing the TV refer to the minimum cavity opening height to avoid interference with the LE-Series fireplace.

Please Note: TV clearance recommendations are suggestions only, and Escea is not responsible for their compatibility with all electrical appliances.

HEARTH

A hearth is not required. A hearth or flooring can be installed at any height below the bottom edge of the opening. Materials directly below the hearth may be exposed to temperatures up to 60° C.

FIREPLACE AND CAVITY DIMENSIONS

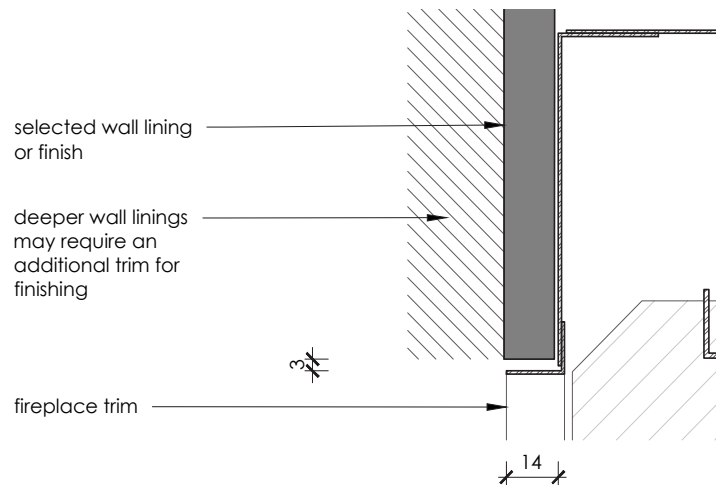
Fireplace Width (A)	1160mm
Fireplace Height (B)	601mm
Fireplace Depth (C) including 14mm finishing trim	492mm
Framed Cavity Opening Width min.	1200mm
Framed Cavity Opening Height min.	610mm
Framed Cavity Opening Depth min.	500mm

OPTIMAL VIEWING ANGLE

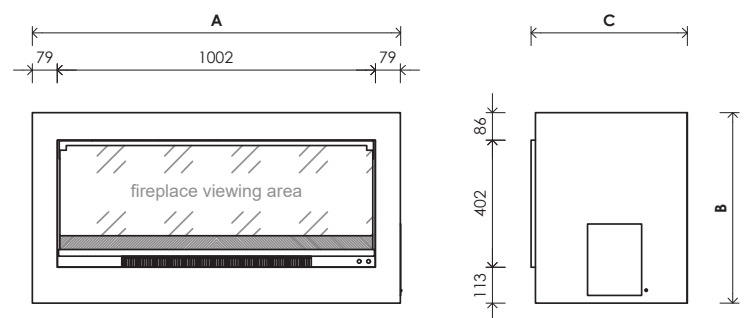
The LE Series electric fireplace will look its best from certain angles and heights, which should be considered from the location of the viewer. For optimal viewing, the appliance base should be installed between **288 to 488mm** off floor level.

FINISHES

Use min. **10mm thick wall linings or finishes**, selecting materials suitable for the installation. Where materials or finishes extend forward of the 14mm fireplace trim consider how the finished edge will look. An additional trim may be required. The 14mm fireplace trim can be replaced with the **22mm Extended Trim Kit** or a custom solution for thicker wall linings. Maintain a 3mm gap (+/- 2mm) to the fireplace's finishing trim to allow for movement. For specific finish details, refer to: www.escea.com/fireplace-specification



*This detail is applicable for all sides of the fireplace viewing area.



Install in accordance with AS/NZS3000 and the *Escea LE Series Install Manual*.
For installation methods not covered in this document please contact:
 Email: aa@escea.com PH (NZ): 0800 17 3000 PH (AU): 1800 460 832

Install Manual and CAD files are available via the QR Code or link:
www.escea.com/technical



Disclaimer:
 Dimensions provided are indicative and may not consider all site-specific variations or installation needs. Verify dimensions on-site before manufacturing or construction.