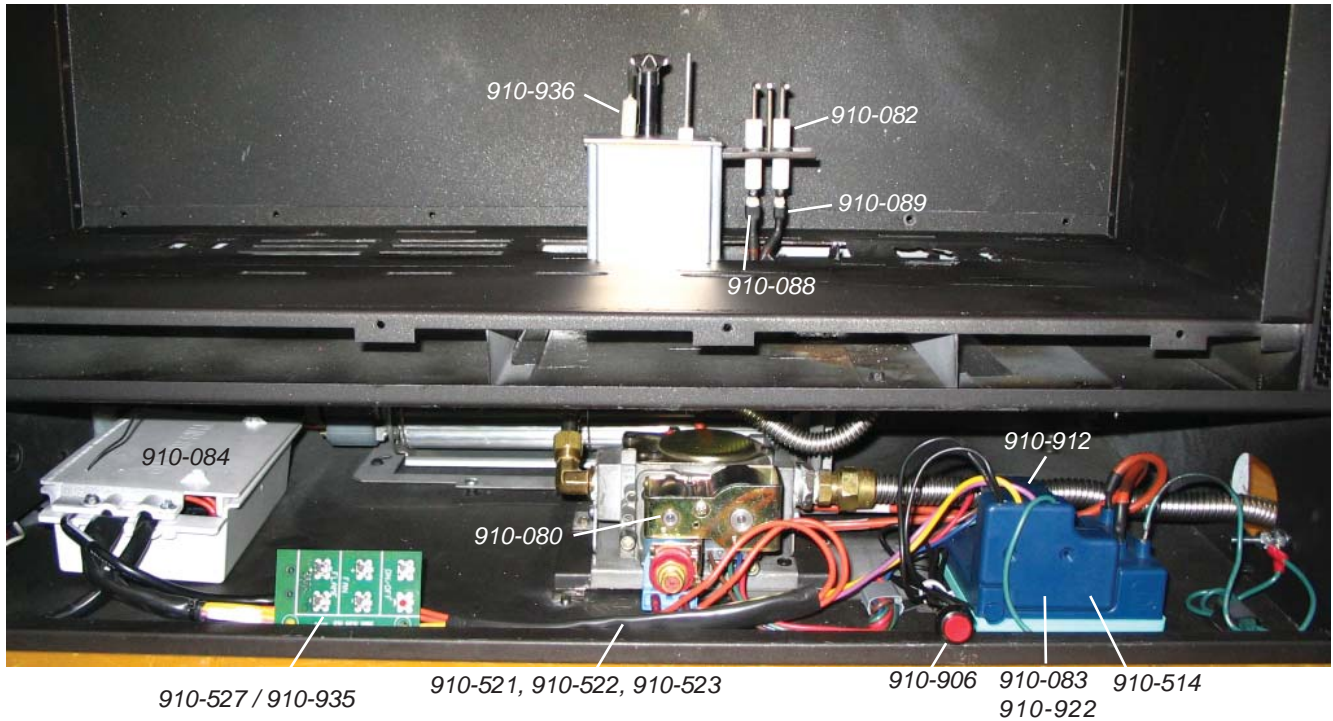


ELECTRONIC COMPONENTS PARTS LIST

Note: Depending on the model, the diagram below may not be exactly as shown - for reference purposes only.



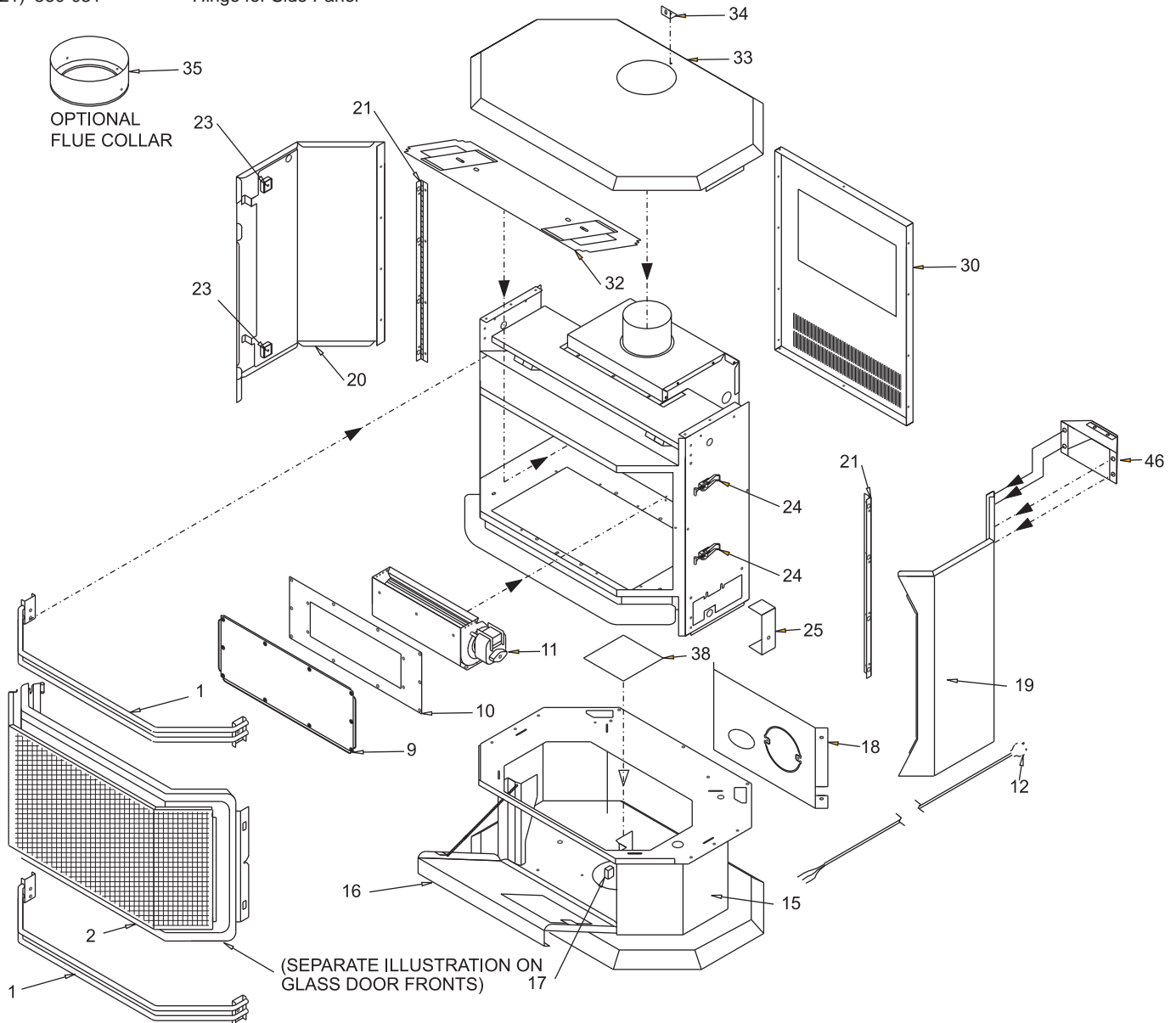
	FG37	FG38	FG39	PG33	PG36 / PG36D	HG35	PG121/ PG131	IG35	IG34
910-909 Fan Resistor	✓	✓	✓	✓	✓	✓	✓	✓	✓
910-936 Intermittent Pilot	✓	N/A	✓	✓	✓	✓	✓	N/A	✓
910-082 Direct Spark Ignitor	N/A	✓	N/A	N/A	N/A	N/A	N/A	✓	N/A
910-089 Flame Cable	N/A	✓	N/A	N/A	N/A	N/A	N/A	✓	N/A
910-088 Spark Cable	N/A	✓	N/A	N/A	N/A	N/A	N/A	✓	N/A
910-084 Control Box	✓	✓	✓	✓	✓	✓	✓	✓	✓
910-527 Manual Control Switch	✓	✓	✓	N/A	N/A	✓	N/A	N/A	✓
910-080 Valve	✓	✓	✓	✓	✓	✓	✓	✓	✓
910-521 Control Box Cable (1)					(1)				
910-522 Control Box Cable (2)	(2)	*N/A	(2)	(2)				N/A*	(2)
910-523 Control Box Cable (3)						(4)	(3)		
910-525 Control Box Cable (4)									
910-912 Ignition Module to Valve Cable	N/A	N/A	N/A	✓	✓	✓	✓	✓	✓
910-906 Reset Switch	✓	N/A	✓	✓	✓	✓	✓	N/A	✓
910-083 Ignition Module (1)		(1)						(1)	
910-922 Ignition Module (2)	(2)	(2)	(2)	(2)	(2)	(2)	(2)		(2)
910-514 Jumper Wire	✓	N/A	✓	✓	✓	✓	✓		
910-527 Manual Control Switch	✓	✓	✓	N/A	N/A	✓	N/A	N/A	✓
910-935 Manual Control Switch	N/A	N/A	N/A	✓	✓	✓	✓	✓	✓
**Note: The Control Box Cable wires for the FG38 come separately: 910-502, 910-505, 910-506, 910-507, 910-509 The Control Box Cable wires for the IG35 come separately: 910-530, 910-504, 910-528									

PARTS LIST

MAIN ASSEMBLY

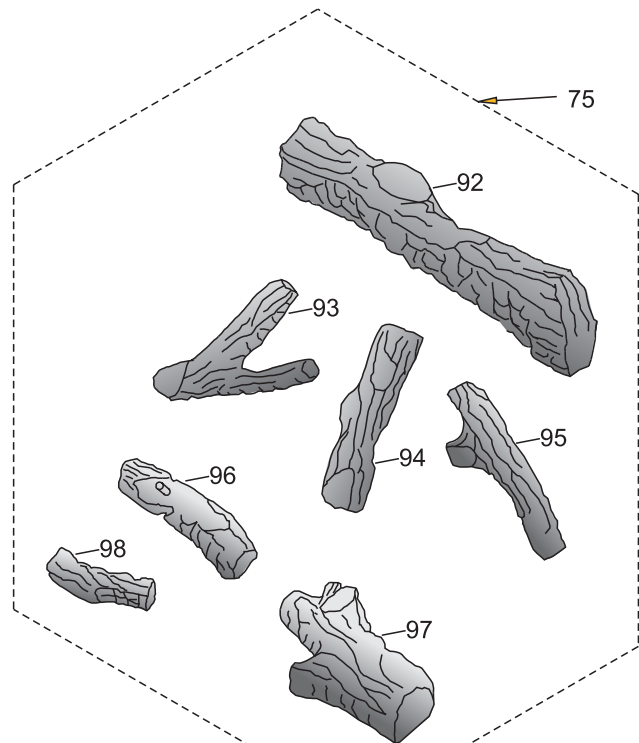
Part #	Description	Part #	Description
1) 560-920	Top / Bottom Gold Louvre (Set)	23) 904-258	Side Panel Door Magnet
560-922	Top / Bottom Black Louvre (Set)	24) 948-255	Door Latch c/w Hook
2) 750-532	Safety Screen (Australia only)	25) 750-095	Door Hold Down Bracket
9) 750-040	Fan Access Door	30) 750-026	Rear Panel
10) 750-074	Gasket for Fan Access Door	32) 730-028	Firebox Baffle
560-519/P	Fan Assembly	33) 560-535	False Top Assembly
11) 910-169/P	Fan Motor (240 Volt)	34) 590-273	Flue Attachment Bracket
12) 910-714	Power Cord (240 Volt)	35) 590-930	Ult. 6" Flue Collar (Optional)
15) *	Pedestal Assembly	38) 820-058F	Pedestal Base Cover
16) 730-039	Pedestal Door	46) 750-083	Rear Control Panel
17) 904-257	Pedestal Door Magnet	910-087	Switch Manual Control ECS c/w Wire Harness
18) 750-084	Pedestal Back	756-969	Conversion Kit - to LPG
19) 756-518	Side Panel Door Assy (Right Side)	948-216	Logo Plate
20) 756-520	Side Panel Door Assy (Left Side)	918-243	Manual
21) 560-031	Hinge for Side Panel		

*Not available as a replacement part.

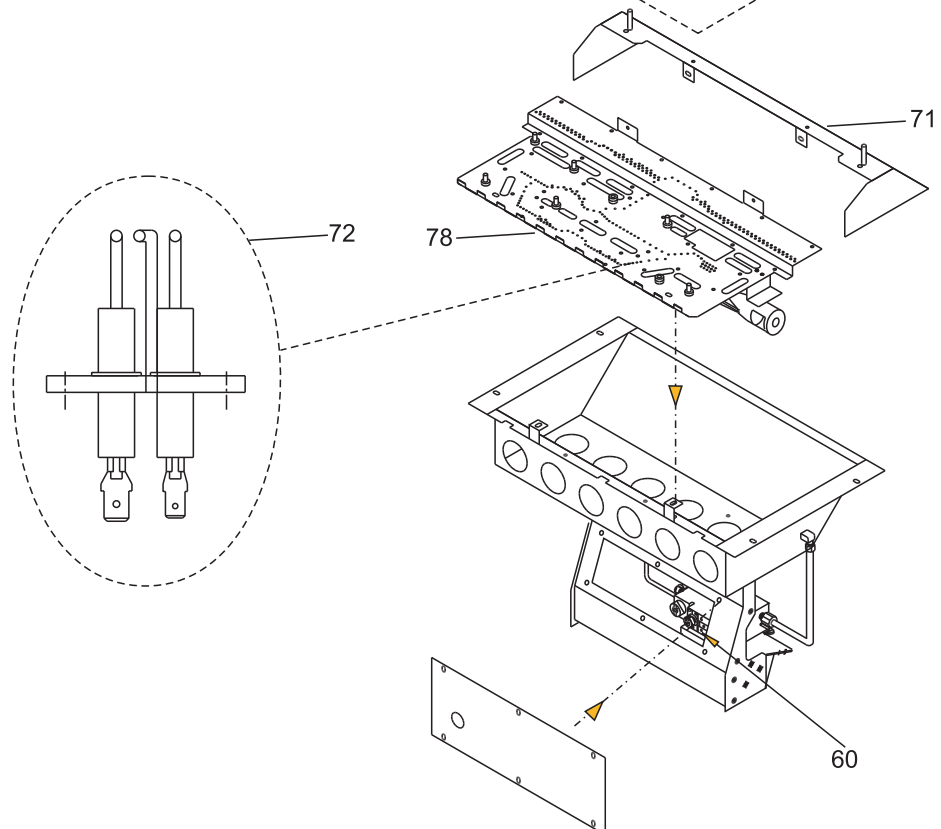


BURNER & LOG ASSEMBLY

Part #	Description
756-527/P	Valve Assembly - NG
756-529/P	Valve Assembly - LPG
60) 910-080	Valve Sigma 845 - NG
910-081	Valve Sigma 845 - LPG
904-689	#33 Orifice - NG at 38 mj.
904-390	#52 Orifice - LPG at 31 mj.
71)	752-528 Rear Log Bracket Assy
72)	910-082 Ignition Direct Spark Assy. - NG/LPG
75)	730-935 Log Set
78)	752-550 Burner Assy - NG/LPG
910-083	Module Sit 230V
910-084	Control Box ECS
910-088	Wire ECS Module Spark (Red)
910-089	Wire ECS Module Flame (Red)
910-086	Remote Control - ECS (optional)
92)	Rear Log
93)	Left Top Log
94)	Center Log
95)	Middle Right Log
96)	Middle Left Log
97)	Front Right Log
98)	Front Left Log



*Not available as a replacement part.



PARTS LIST

DOOR ASSEMBLY

Part #	Description
730-933	Black Wrap Door - Complete
101) 846-570	Door Gasket Kit
105) *	Ceramic Paper
107) 936-243	Glass Gasket
111) *	Door Frame Fibre Paper
208) 940-325/P	Wrap Glass

*Not available as a replacement part.

