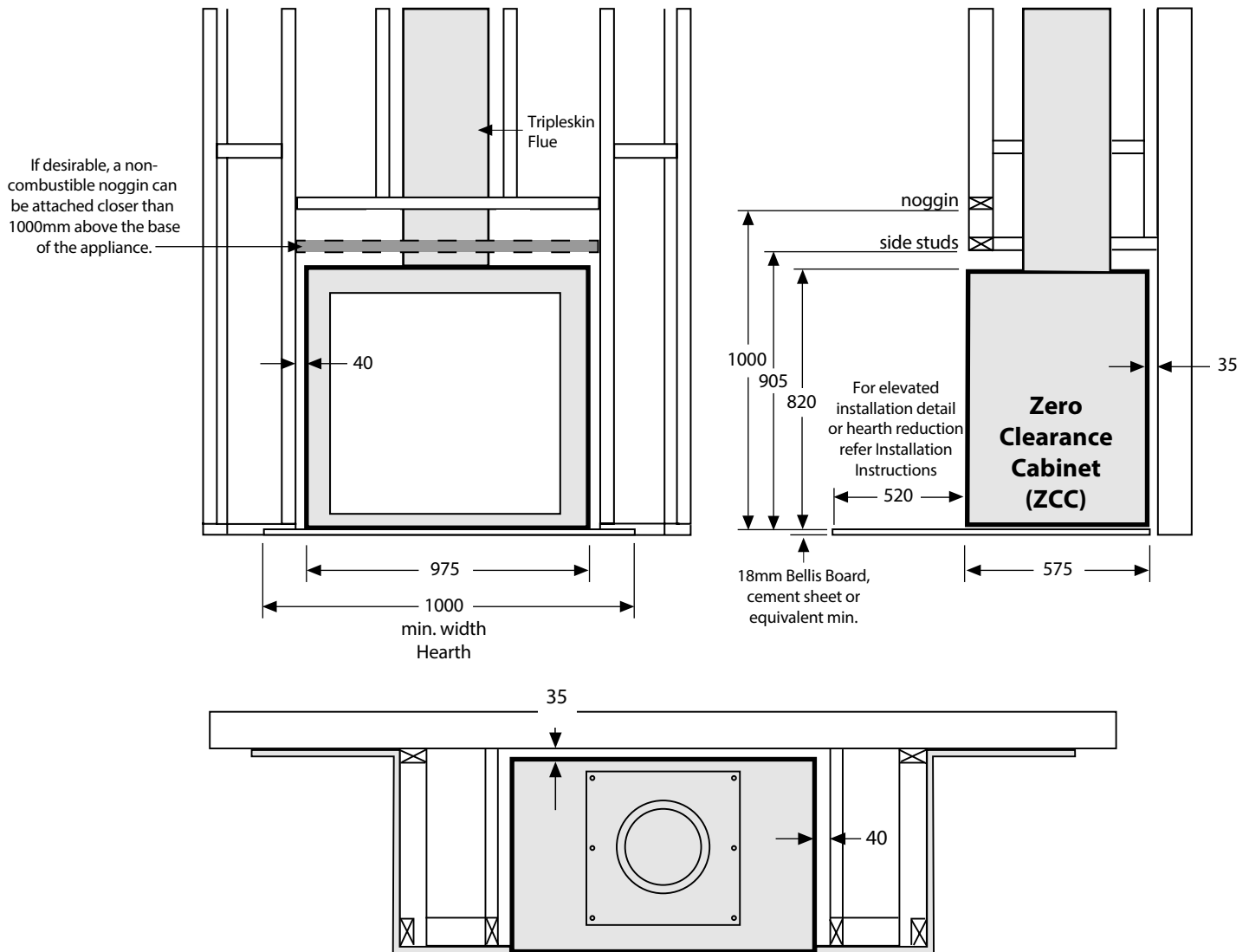


ZCC Part No. 230600



### ZCC Installation notes

This appliance has been factory fitted and attached inside the ZCC. Depending on your desired installation type, whether it be at ground level, or elevated for a mid-wall installation, the following sequence of installation steps may need to be adjusted to suit. For any additional information please refer to the Operation and Installation Instructions supplied with the appliance, or contact the dealer from whom you purchased the heater from.

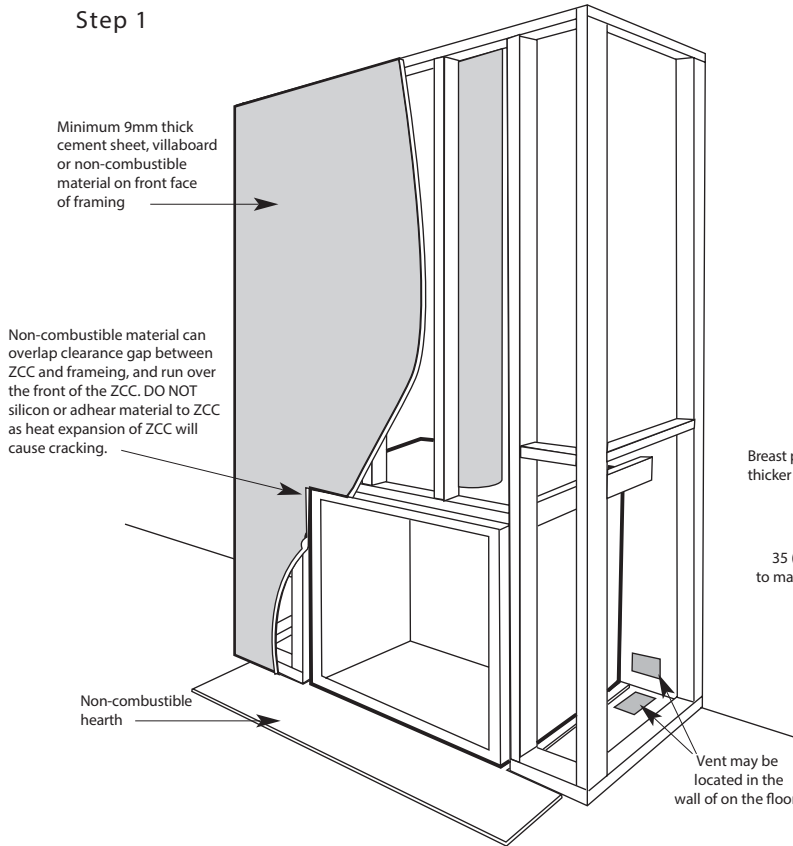
- Select the position that you wish to install your Insert ZCC, carefully allowing for flue clearances of 305mm in the roof cavity (the outer flue being 255mm requires a 25mm clearance on either side to combustibles, making overall clearance of 305mm), and allowing for sufficient clearances for combustibles where rear and side walls may play a roll in the installation process.
- Ensure there is access to a power supply inside the enclosure for connecting the fan in the heater. In some instances an extension cord maybe required to reach a power supply. Please keep in mind that the fan will need to be removed for cleaning, and access to the power supply should be made relatively easy.
- Remove door (open door handle and swing door open to roughly 45deg and lift off hinge), remove cast iron liners and baffle system from inside the firebox to reduce overall weight of unit.
- Using a 5mm allen key, remove x4 M8 cap screws which attach the fascia to the firebox. Carefully remove the fascia and place to the side. Removing fascia allows the ZCC to be mounted flush with front of enclosure face for a flush fascia finish.
- If installing at ground level onto a combustible floor surface, place required floor protector under the desired position of the ZCC than carefully lift the ZCC into position.
- Fit flue system to upstands and appliance. Install through roof as per flue manufactures instructions, and terminate at the required height above the roof line, fit cowl. Note: the base of the active flue will need to be trimmed and sealed with fire cement.
- Build your frame around the ZCC maintaining the clearances listed previously.
- Enclose the front of the frame with minimum 9mm non-combustible cement sheet, villaboard, bellis board etc.
- Enclose the sides of the frame with plaster, timber, MDF etc.
- Install the mantle if required as per mantle clearances on the following page.

**Note:** If mantle is made out of combustible material, this appliance must have it's hot air deflector attached to the fascia.

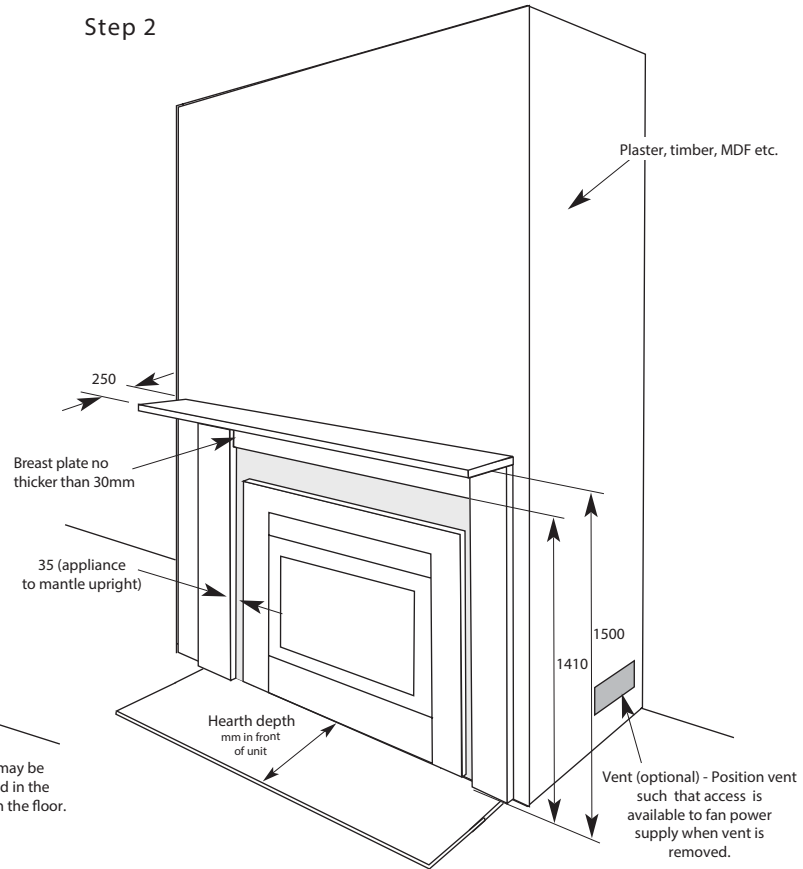
- Re-attach removable fascia & door.

ZCC Part No. 230600

## Step 1



## Step 2



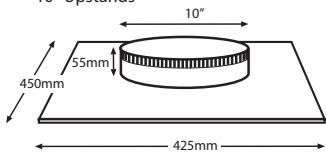
## 6 inch Flue Kit

### Minimum Requirements:

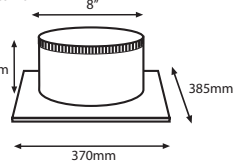
- 5 x 6" S/S Flue
- 4 x 8" Gal Flue
- 4 x 10" Gal Flue

Note: Some states will use different size flue kits which will require the appropriate upstand.

#### • 10" Upstands



#### • 8" Upstand



#### 10" Upstand



#### 8" Upstand

