

DIRECT VENT FIREPLACE

REGENCY DIRECT VENT SYSTEM FLEX 2 FT. VENTING KIT # 946-513 HORIZONTAL TERMINATIONS ONLY

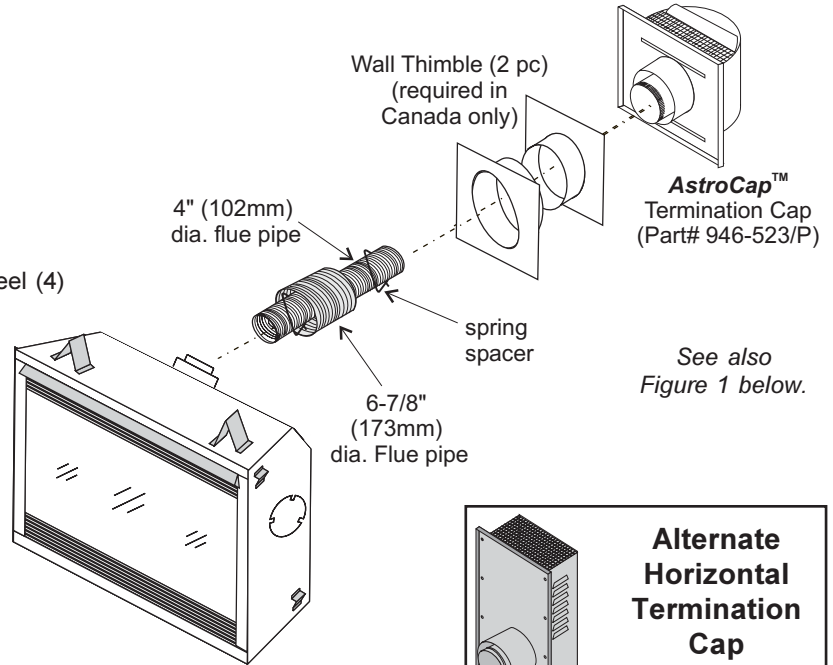
This venting system, in combination with the P33, P121, P121LC, P121RC, P131 Direct Vent Gas Fireplace, have been tested and listed as a direct vent heater system by Warnock Hersey. The location of the termination cap must conform to the requirements in the Vent Terminal Locations, refer to unit manual.

Regency Direct Vent (Flex) System Termination Kit (Part #946-513) includes all the parts needed to install the Direct Vent Gas Fireplace with a maximum run of 2 feet.

- 1) 6-7/8" dia. flexible liner (2 ft. length)
- 2) 4" dia. flexible liner (2 ft. length)
- 3) spring spacers (3)
- 4) thimble (1, 2piece part)
- 5) **AstroCap** termination cap (1)
- 6) screws (12)
- 7) tube of Mill Pac (1)
- 8) plated screws (8)
- 9) screws #8 x 1-1/2" drill point, stainless steel (4)

Notes:

- 1) Linersections should be continuous without any joints or seams.
- 2) Only Flex pipe purchased from Regency may be used for Flex installations.



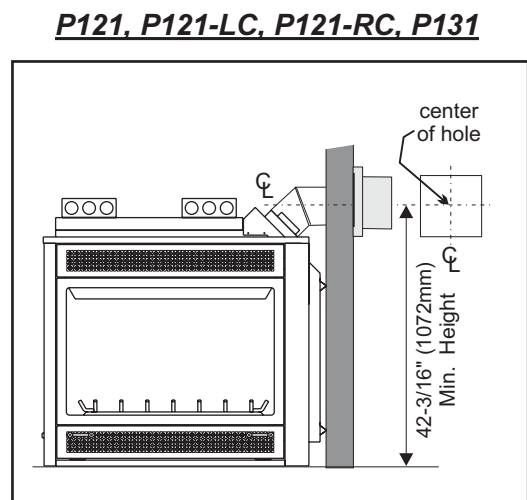
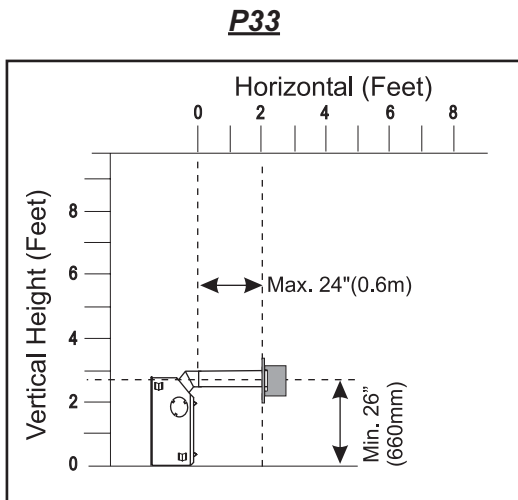
See also Figure 1 below.

Important
 If using any P33 Cabinet Mantels with Part # 510956, 510958, 510962, 510964 and 510834 the wall thimble must be secured first and venting must be attached to unit before sliding into final position.

Wherever necessary due to external location of cap, the AstroCap can be replaced with the FPI Riser Vent Termination Cap.

Alternate Horizontal Termination Cap
 Alternate: Horizontal Riser Vent Terminal Part# 640-530/P *Figure 1*

Minimum Flex Fit Center-Line

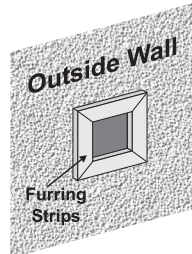


DIRECT VENT FIREPLACE

INSTALLATION PROCEDURES for Regency Direct Vent System (Flex)

- 1) Locate the unit in the framing, rough in the gas (preferably on the right side of the unit) and the electrical (Junction block is on the left side) on the left. Locate the centerline of the termination and mark wall accordingly. Cut a 10"(254mm) hole in the wall (inside dimension).

Note: To make the installation more aesthetically pleasing, we recommend framing out a square to mount the terminal to.



Note: A 2-1/2" (P33), 1 1/2" (P121/P121-LC/P121-RC/P131) (64mm) horizontal top and 1-1/2" (38mm) horizontal sides & bottom clearance around the liner must be maintained except that only a 1" (25mm) clearance is needed at the termination end. We recommend framing a 10"(254mm) x 10"(254mm) (inside dimensions) hole to give structural rigidity for mounting the termination.

Note: If installing termination on a siding covered wall, furring strips must be used to ensure that the termination is not recessed into the siding.

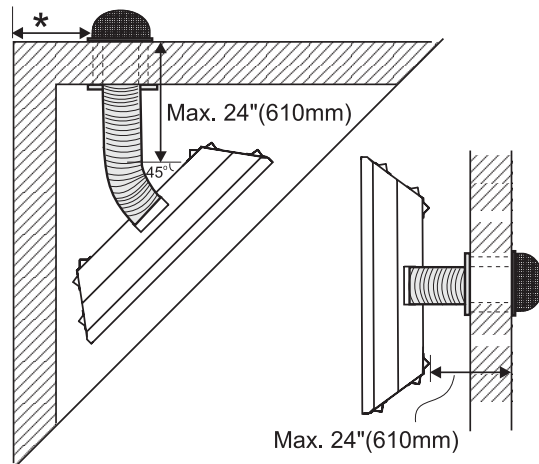
- 2) Level the fireplace and fasten it to the framing using nails or screws through the nailing strips.
- 3) Assemble the vent assembly by applying Mill Pac to the 4"(100mm) inner collar of the termination and slipping the 4"(100mm) liner over it at least 1-3/8" (35mm). Fasten with the 3 screws (drilling pilot holes will make this easier). Apply Mill Pac or high temperature silicone to the 6-7/8"(175mm) flex pipe and slip it over the 6-7/8" outer collar of the vent terminal at least 1-3/8"(35mm) and fasten with the 3 screws.

- 4) Separate the 2 halves of the wall thimble and securely fasten the one with the tabs to the outside wall making sure that the tabs are on top and bottom. Fasten the other thimble half to the inside wall. The thimble halves slip inside each other and can be adjusted for 2 x 4 or 2 x 6 walls. **The liners must slip over the collars a minimum of 1-3/8".**

- 5) Slip the assembled liner and termination assembly through the thimble making sure the termination cap faces up (there are markings on the cap that show which way is up). This will position the termination cap with proper down slope for draining water. Fasten the cap to the outer wall with the 4 supplied screws.

*If this is an outside corner, the minimum distance between the vent and the outside corner is 6" (15cm) with **AstroCap** termination cap.

P33



- 6) Pull the centre 4"(100mm) liner and outer 6-7/8"(175mm) liner out enough to slip over the flue collars of the fireplace.
- 7) Apply Mill Pac over the fireplace inner collar and slip the 4"(100mm) liner down over it and attach with 3 supplied screws.
- 8) Do the same with the 6-7/8"(175mm) liner.
- 9) Apply a bead of silicone between the thimble and termination and around the outer edge of the terminal at the wall in order to keep the water out.

IMPORTANT: Do not locate termination hood where excessive snow or ice buildup may occur. Be sure to check vent termination area after snow falls, and clear to prevent accidental blockage of venting system. When using snow blowers, make sure snow is not directed towards vent termination area.

