

A fire as  
unique as  
you are



Makers of the cleanest, most  
efficient wood fire in New  
Zealand, for over 30 years.

[www.pyroclassic.co.nz](http://www.pyroclassic.co.nz)



**PYROCLASSIC**  
FIRES

# What makes a Pyroclassic Fire so unique?



It is the cleanest and most efficient wood fire in New Zealand.



The only clean air approved fire to provide a genuine 12 hour + overnight burn even with a Wetback.



The coloured panels are available in over 100 easily interchangeable colour choices.



Its efficiency is achieved by its unique cylindrical ceramic fire chamber.



All Pyroclassic Fires carry our 15 year ceramic firebox warranty.



Its design has stood the test of time and been in production for over 30 years.

## THE CLEANEST, MOST EFFICIENT WOOD FIRE

- Consistently chosen as the top pick for wood fires in all Consumer reviews.
- With the advantage of over 30 years of manufacturing in New Zealand we are able to offer you the cleanest, most efficient wood fire available, the Pyroclassic IV.
- Its incredibly efficient design and massive heat storage capacity in its unique cylindrical ceramic fire chamber ensures you will enjoy the benefits of both radiant and convection heating, whilst providing the most economical use of your firewood.
- The Pyroclassic IV is the cleanest fire with the ability to burn over night approved by all councils throughout New Zealand.
- With its high output 3.7kW wetback for your hot water needs and its 10mm thick cook top for boiling, baking and roasting, you can be sure that power cuts and price hikes won't affect you.
- The Pyroclassic IV's timeless design can heat a home up to 250m<sup>2</sup> and will help reduce condensation.
- Every Pyroclassic IV includes: custom-made rake and shovel kit, reusable fire lighters and a digital moisture meter.



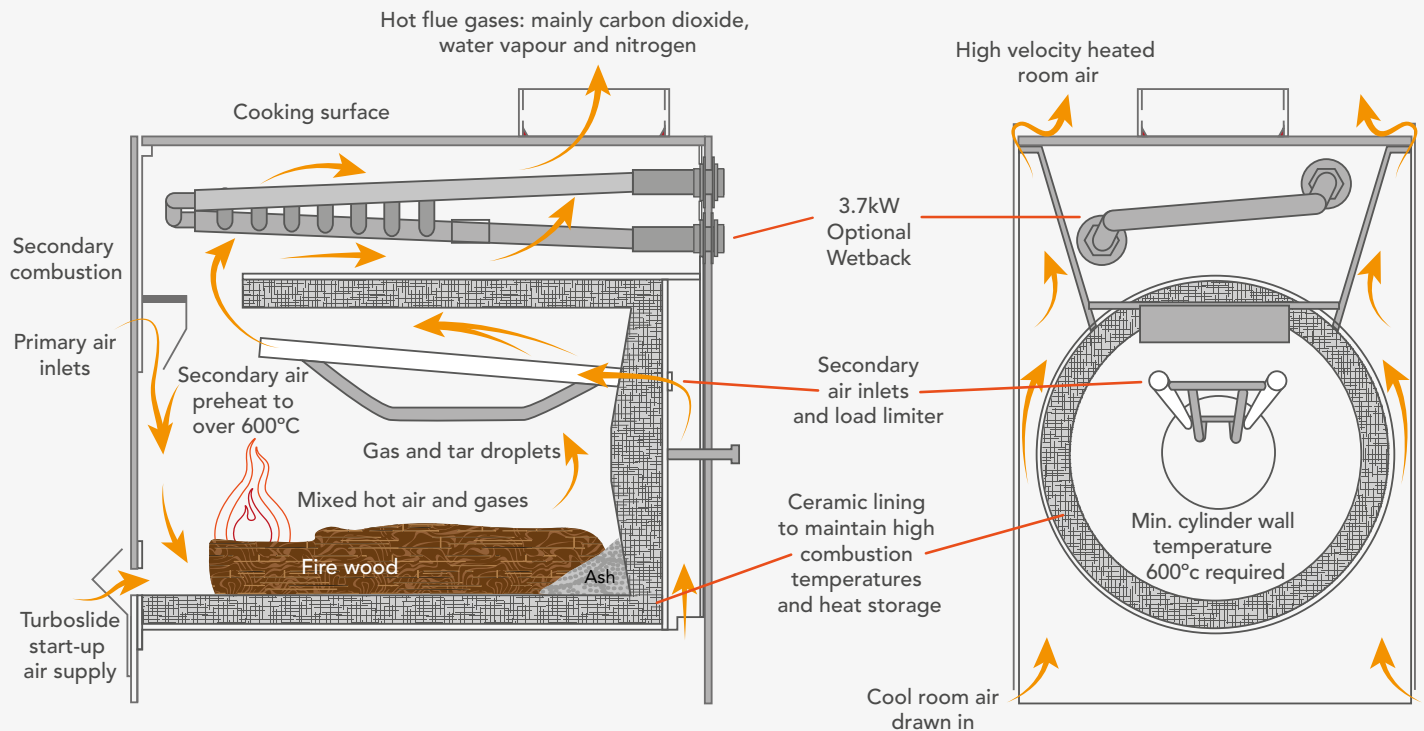
## COLOURS TO MATCH YOUR HOME

With a great range of colours available, the powder coated panels can be updated very easily. You can go for a contemporary choice or a more traditional look. Please see our online colour charts for the full range.

## RECOMMENDED FLUE SYSTEMS

To get the best performance from your Pyroclassic IV we recommend that a tested and approved 100mm diameter Eco Flue System with full flow vertical discharge cowl is used.

# HOW A PYROCLASSIC IV WORKS



## ACCESSORIES FOR THE PYROCLASSIC IV



### WALL SCREENS & WOODBINS

Wall screens are powder coated, for standard or corner installations and come in our full colour range to match your fire or your wall.

We have two woodbin options: Pyro Combo Raised Hearth and Reversible Woodbin (left) and the Mini Pyro Combo Raised Table and Reversible Woodbin (right: requires additional hearth for compliance).

Custom colour options are available for these.



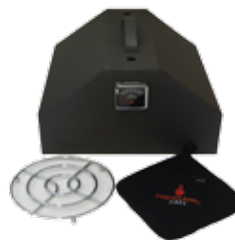
### 3.7kW WETBACK

Our high output Wetback uses an open grid format which increases the surface area of the wetback ensuring consistent hot water.



### LOG RACK

The Log Rack is designed to be used in your home next to your Pyroclassic fire. It's finished in a tough ripple black powder coat which will keep it looking smart year after year. W80cm x H110cm x D30cm.



### COOK TOP OVEN

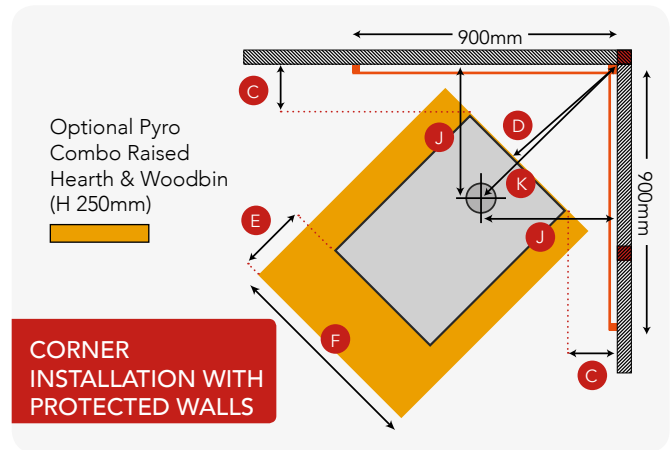
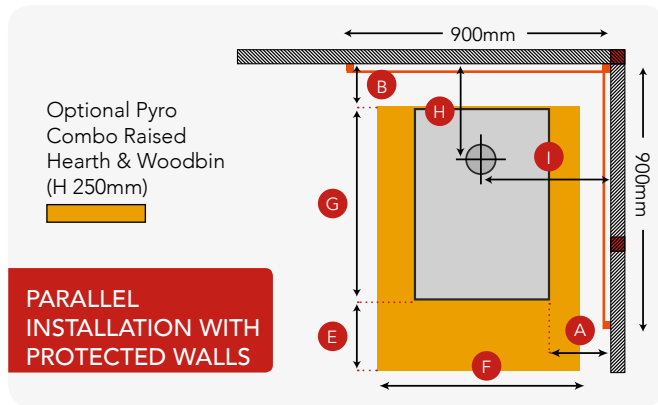
Our Cook Top Oven is designed to fit straight on to the top plate surface and comes with a trivet and oven mitt for ease of use.

We welcome your enquiry, please visit our website for more information, including our list of distributors or call 0800 479 762

[www.pyroclassic.co.nz](http://www.pyroclassic.co.nz)



# TECHNICAL SPECIFICATIONS FOR PYROCLASSIC IV



## PYROCLASSIC IV WITH WALL SCREENS OR WITH NON COMBUSTIBLE WALLS

A	B	C	D	E	F	G	H	I	J	K
145mm	105mm	115mm	390mm	300mm	680mm	650mm	245mm	373mm	370mm	530mm
Pyroclassic IV with combustible walls or unprotected walls										
480mm	350mm	370mm	740mm							

## PYROCLASSIC INSULATING HEARTH

The Pyroclassic IV must sit on some form of insulating hearth. If the hearth is installed flush with a surrounding floor then it must have a minimum distance of 369mm from the front of the fire to the front edge of the hearth. The minimum width of the insulating hearth must be not less than 680mm with the Pyroclassic IV centred from each side of the hearth.

If the hearth is raised, the floor protector area at the front can be reduced. For example the Pyroclassic raised hearth is 250mm in height and this means the floor protector area at the front of the fire can be reduced.

The Pyroclassic raised hearth is a powder coated steel construction and can be installed directly on to any combustible floor material.

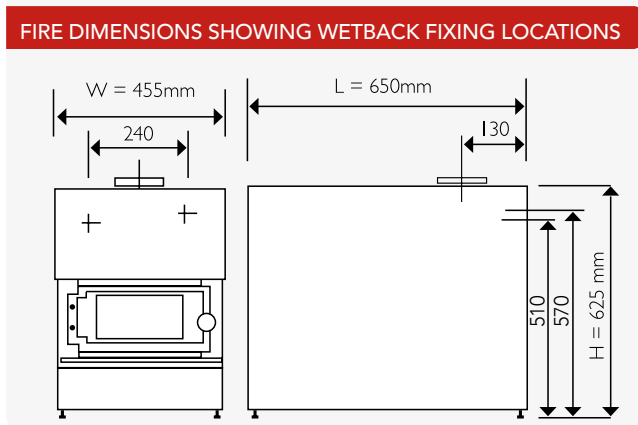
## ALTERNATIVE INSULATING HEARTH

20+mm suitable insulated board with non combustible top, or masonry slab with minimum of 50mm thickness. All hearths need to conform to the measurements shown below.

INSULATING HEARTH SURFACE HEIGHT FROM COMBUSTIBLE FLOOR				
Height	0mm	15mm	25mm	40mm
MINIMUM DISTANCE IN FRONT OF PYROCLASSIC TO HEARTH FRONT EDGE				
E Depth	369mm	345mm	318mm	300mm

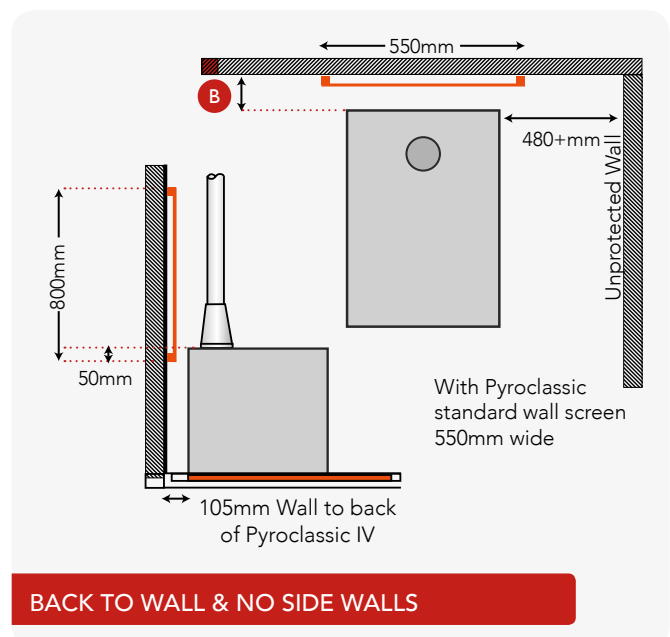
## WALL SCREENS

Our flat wall screens with the 25mm air gap will significantly reduce the minimum required safety distances. The side edges of the sheet metal are folded in (forming a right angle) by 25mm, thus creating an air gap. Combustible walls are protected from the hottest parts of the Pyroclassic IV fire, which are the top plate and the first sections of the flue. The open bottom edge of the screen sits 50mm below the top of the Pyroclassic IV and extends upwards. Cool air enters from below, runs up between the screen and the wall and exits out the top.



Disclaimer: +/- 2mm measurement variation.

THE PYROCLASSIC IV HAS BEEN TESTED TO THE FOLLOWING STANDARDS  
AS/NZS4012:1999 • AS/NZS4013:1999 • AS/NZS4012:2014 • AS/NZS4013:2014  
AS/NZS2918:2001 • EN13240:2001 • A2:2004



## SPECIFICATIONS

- Dimensions:** L 650mm x W 455mm x H 625mm
- Weight:** Approx 140kg
- Fire Chamber volume:** Useable volume 20.8 litres
- Temperature:** 800°C to 1100°C (1500°F to 2000°F)
- Maximum heat output:** >15kW incl.Flue
- Useful heat output:** 2kW to 8kW
- Fuel Consumption:** 1.1kg/hr
- Emission rate:** 0.3g/kg (Dryback and Wetback)
- Efficiency rate:** 74% space heating (Dryback)  
65.3% space heating with  
18% waterheating (Wetback)

- Air control:** Primary & secondary, fully automatic
- Start up control:** Manually adjustable Turboslide
- Cooktop area:** 0.26m<sup>2</sup> - 10mm thick plate
- Flue Diameter:** 100mm standard (4")

## Freestanding Model only - no insert available.

**WARRANTY:** The Ceramic Firebox in the Pyroclassic IV is warranted for 15 years against defective material or workmanship, provided that the fire is used and installed according to the Manufacturer's operating and installation instructions. All other items are warranted for 12 months. This warranty does not cover damage or failure caused by tampering, carelessness, abuse or misuse. NOTE: the warranty only applies to the original owner and cannot be transferred.



PYROCLASSIC FIRES ARE A  
MEMBER OF THE NZHHA & AHHA