

escea.

**Abbey
Fireplaces**

Sydney
26 Roger Street
Brookvale, NSW 2100
Ph: 9939 9848

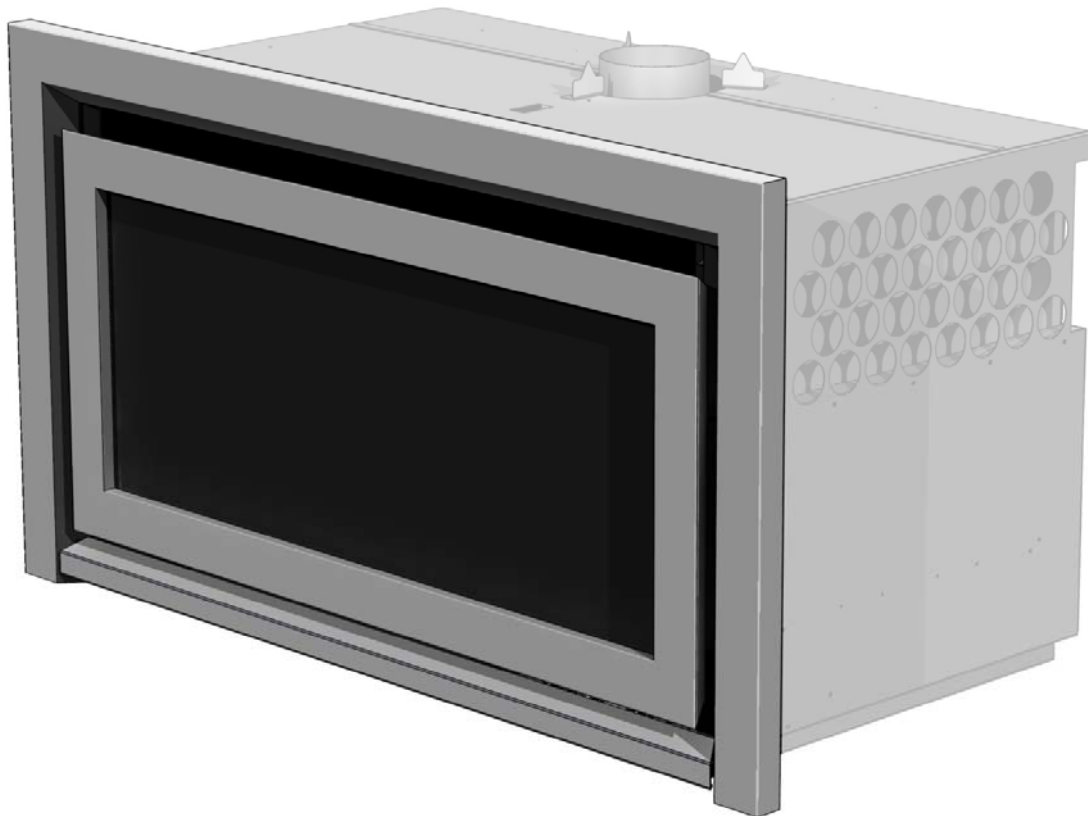
South Coast
136 Industrial Road
Oak Flats, NSW 2529
Ph: 4256 5555

sales@thefireplace.com.au
www.thefireplace.com.au

IB850, IB1100

Inset Fascia Installation Manual

Australian Edition



Important:

The appliance shall be installed in accordance with;

- This installation instruction booklet
- Must be installed by a qualified person
- This Manual replaces section **21.0** of the IB850/1100 Installation Manual

This appliance is not intended for use by young children or infirm persons unless they have been adequately supervised by a responsible person to ensure that they can use the appliance safely.

Young children should be supervised to ensure that they do not play with the appliance.

Manufactured by: Escea Ltd, PO Box 5277 Dunedin NZ, Ph: +64 3 479 0302, email: info@escea.com.au
For contact details of your local escea distributor or dealer please visit www.escea.com.au

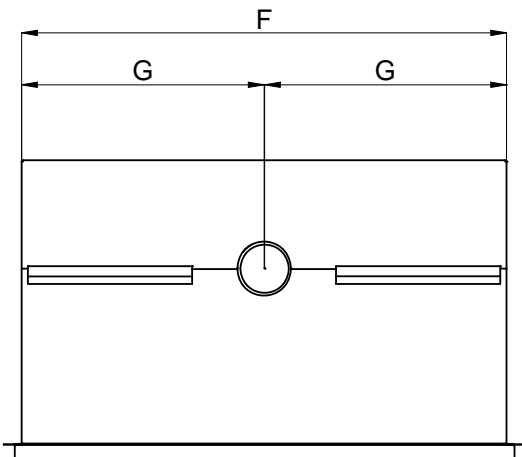
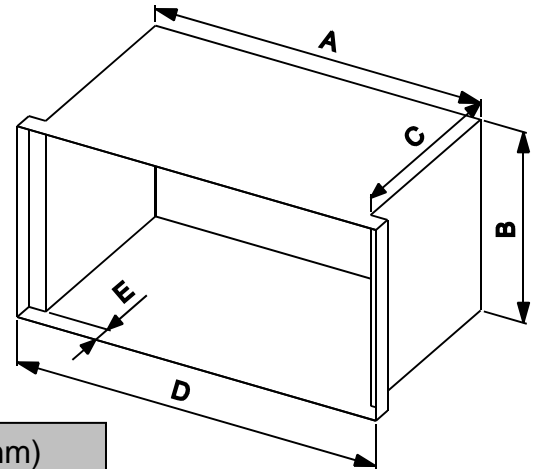
Creating the Cavity:

The dimensioned drawing below shows the minimum size of opening that must be created to keep combustible materials the required distance from the heater.

The wall board that lines the outside of this opening can be normal dry wall (Gib Board) and does not need to be non-combustible providing that it does not come any closer to the fire than the dimensions below show.

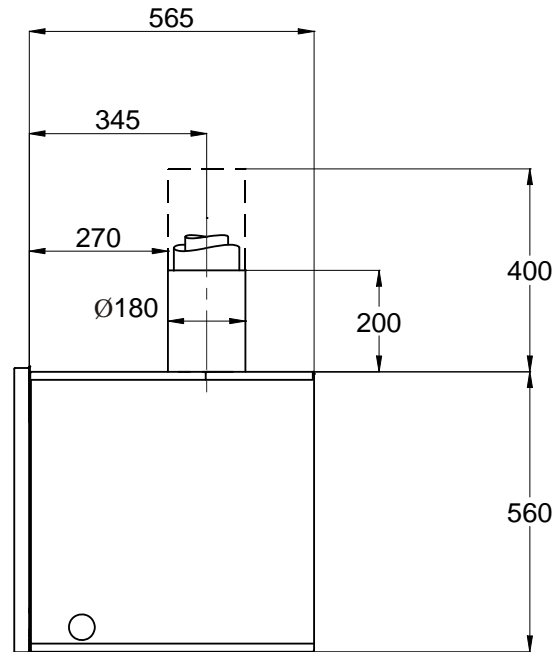
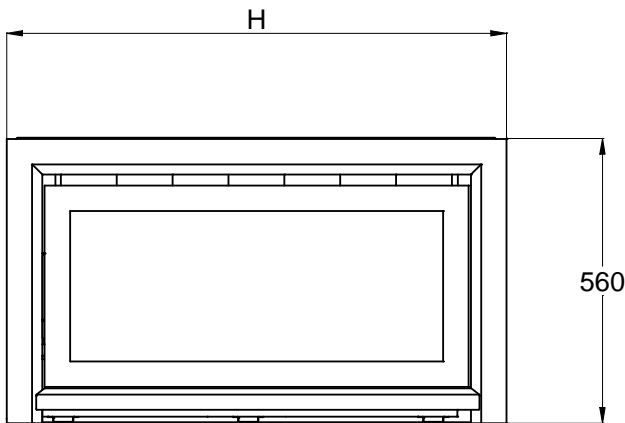
Internal Cavity & Product Dimensions: (mm)

	A	B	C	D	E
IB850	965	565	565	995	36
IB1100	1265	565	565	1295	36



Product Dimensions: (mm)

	F	G	H
IB850	960	480	985
IB1100	1260	630	1285



Gas Specifications:

Heat output IB850 = 7.5kW
 Heat output IB1100 = 7.9kW
 Gas Input = 40MJ/h
 Gas Connection = Front RH corner of heater
 Electrical Connection = 240V 3 Pin plug within 1.2m of the rear LH corner of heater

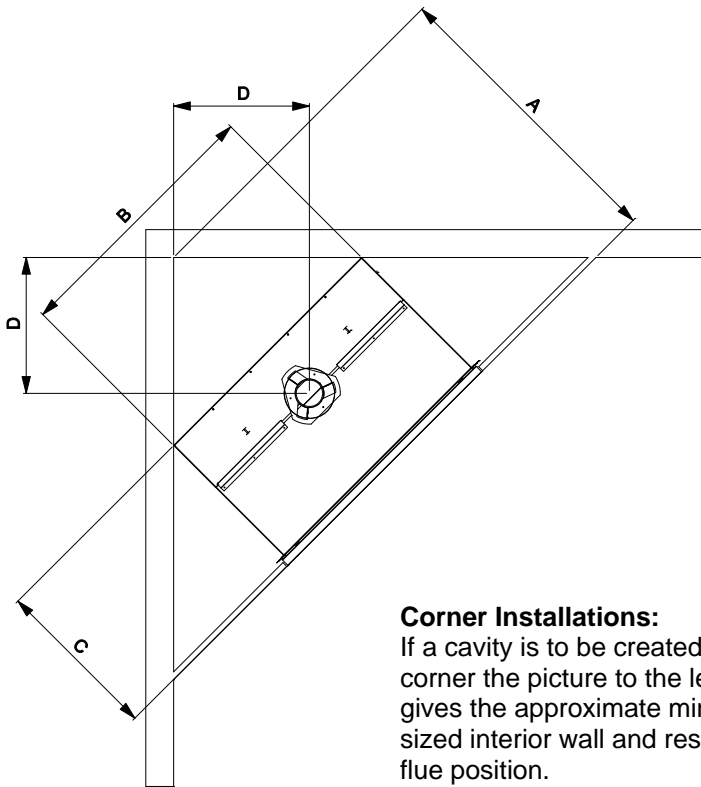
Flueing the heater:

This heater is to be conventionally flued with a 100mm dia flue system, in accordance with the requirements of A55601/AGG01

Hearth:

This fire **must** be installed a minimum of 100mm off the floor. A raised hearth can be of any size, but must be constructed from non-combustible materials.

NOTE: If the hearth is to be covered with tiles or some other veneer then the fire must be installed so that the base of the 'Outer Skin Kit' is level with the finished top surface of the hearth.

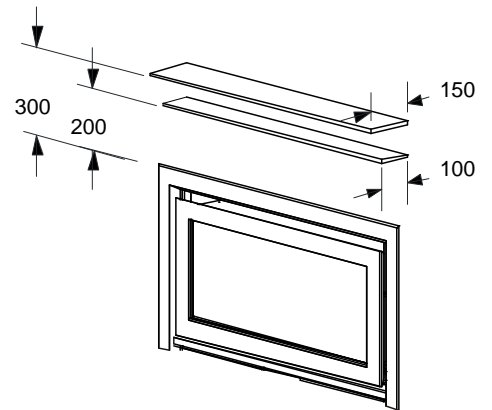


Corner Installations:

If a cavity is to be created in a corner the picture to the left gives the approximate minimum sized interior wall and resultant flue position.

Mantle Clearance:

Please refer to diagram below. Mantles or protruding ledges mounted above the heater that are made from **combustible materials**, must not extend out side of the dimensions shown.



	IB1100	IB850
A	1235	1075
B	1265	965
C	601	601
D	605	490

Fire Installation:

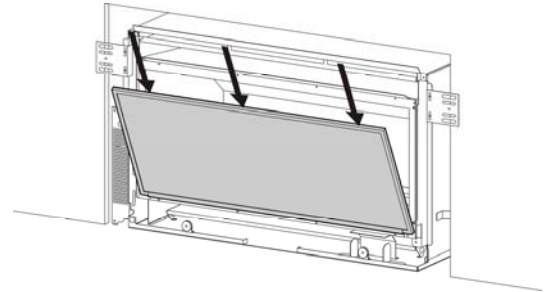
Please refer to the separate install instructions that come with the fire.

Fitting the Fascia Panels:

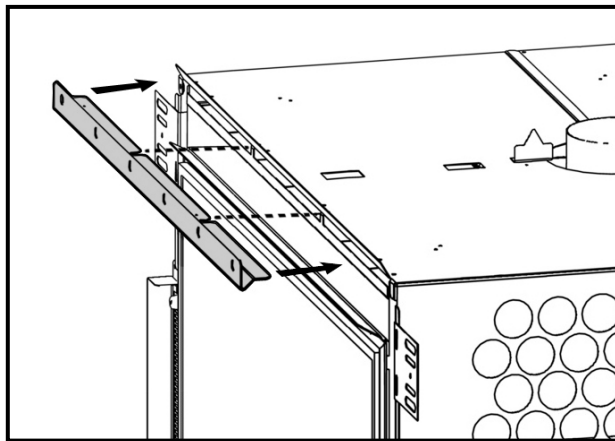
To avoid scratches or knocks to the fascia panels of this gas fireplace they must be fitted at the complete conclusion of the installation process. It may be necessary to use the Outer Fascia to initially locate the gas fireplace but then remove it again so that there is no chance of damage.

Note; Never Ever Rub the Fascia Panels.

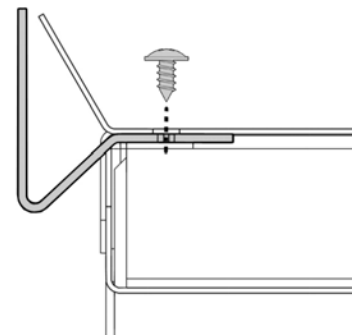
- Step 1:** Replace the glass
Note: If the glass gasket requires a replacement, call your nearest Escea agent who will ensure the part is replaced with the correct type. In the event that the glass is broken by impact, purchase the replacement from an authorised Escea agent only.



Step 2:



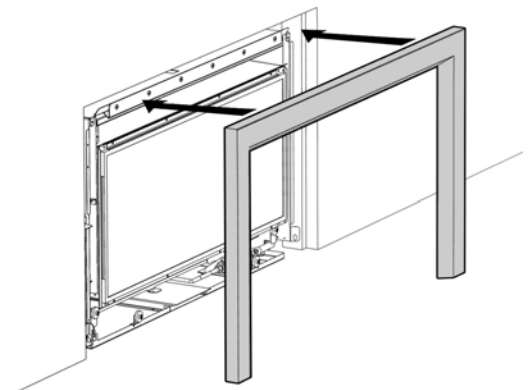
Cross Section



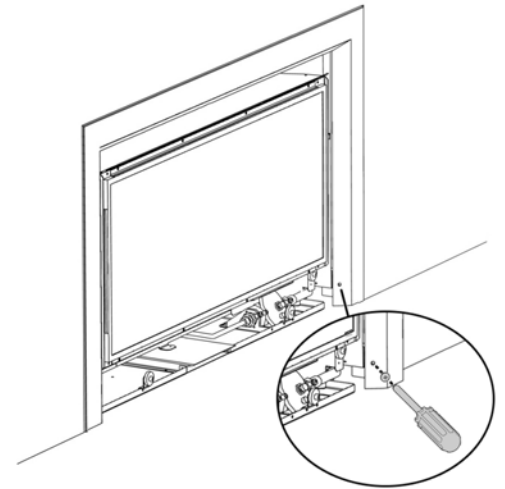
To attach the Inset Fascia a magnet bracket must be fixed to the firebox. This bracket slides in to sit flush with the underside of the top firebox panel. To secure it in place screw the provided pozi-drive screws into the four holes, positioned behind the 45 degree flange at the top edge of the firebox.

Note: Ensure the correct orientation of the bracket. If the bracket is installed upside down, the fascia **will not fit**.

- Step 3:** Hang the Outer Fascia (larger one) from the magnet bracket attached to the top of the firebox. Insert the fascia so that it is parallel with the front of the gas fireplace. The Hex-nuts attaching the magnets to the fascia will locate in the holes on the magnet bracket, securing the Outer Fascia in the correct position. If this fascia does not fit, check to make sure the magnet bracket installed above is in the correct orientation.



Step 4: Fit the two screws at the base of each side of this fascia. The heater may have to be adjusted in or out of the cavity to ensure fascia fits correctly.



Step 5: Attach the inner fascia brackets to the Inner Fascia as per the instruction page supplied with the fascia. Hang the top edge of the Inner Fascia (smaller one) from the lip that extends at 45 degrees from the top of the firebox. This fascia is attached to the fire at its base by two screws. Leave the screws loose enough to be able to adjust the Inner Fascia.

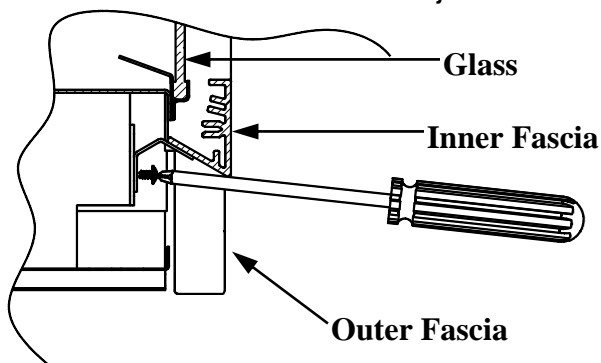
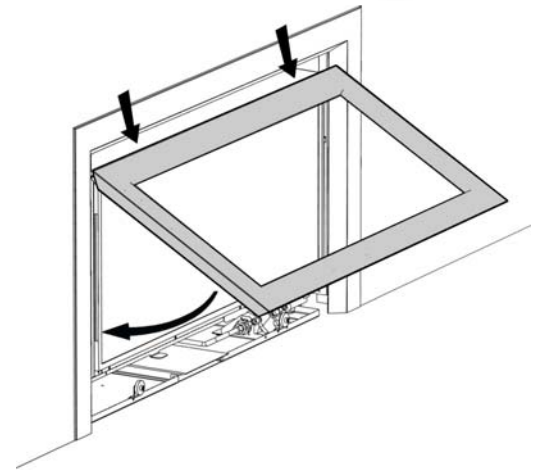


Diagram illustrates a cut through section of fire

Step 6: Check that the Inner Fascia is centered. If this panel is not centered, adjust the Inner Fascia side to side until the spaces on either side are even. Tighten the screws to fix the Inner Fascia in place.

Step 7: Place the Bottom Fascia Trim into position. This panel is held on with magnets. If this panel does not fit, adjust the Outer Fascia side to side or the gas fireplace in/out until the trim fits well.

