



Serious Barbecues

beefeaterbbq.com



Discovery Series Built-in BBQ grill

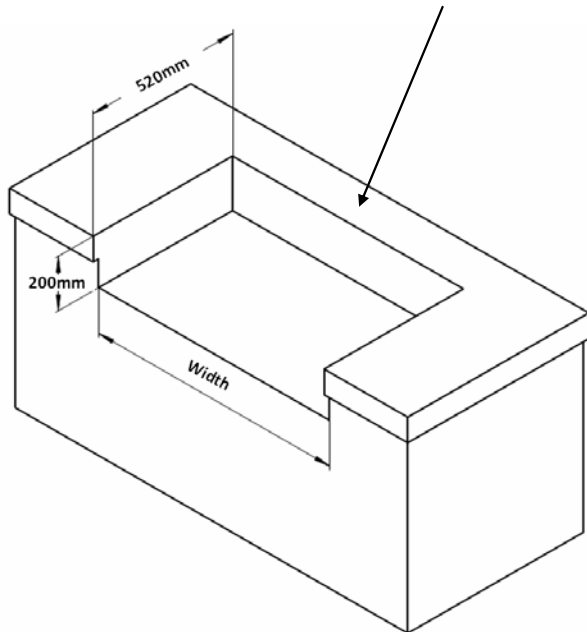
Cut Out Dimensions

For built-in installations: islands, masonry, other non-combustible material structures

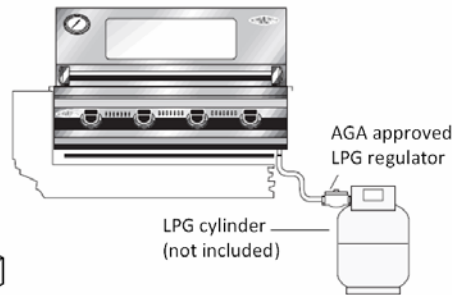
Discovery Series Built-In BBQs	2 burner	3 burner	4 burner	5 burner
Width	523mm	690mm	846mm	1003mm
Height	200mm			
Depth (includes 20mm rear ventilation clearance)	520mm			
Minimum Clearance to Combustible Materials	450mm			

Important:

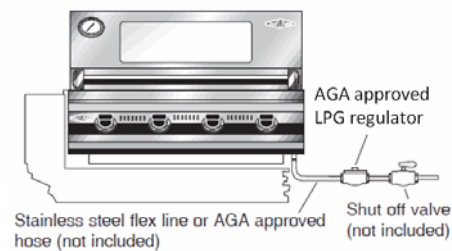
Allow sufficient distance at rear of installation for hood opening clearance requirements



LPG Installation



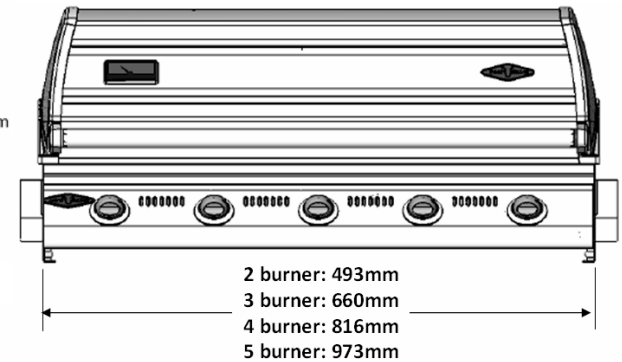
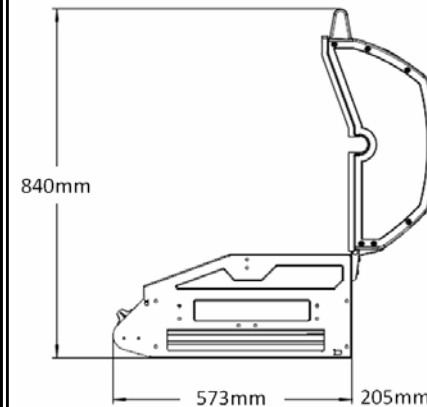
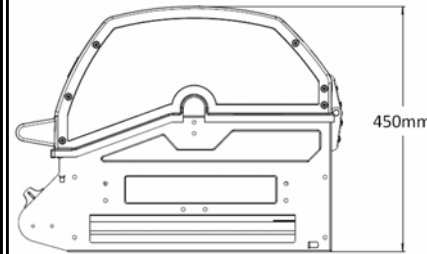
Natural Gas Installation



BBQ Dimensions

Model Series

- i1000e
- i1000s



Built-in brackets required

Weight (with hood)

> 2 burner: 35.0kgs / 3 burner: 45.0kgs / 4 burner: 50.0kgs / 5 burner: 60.0kgs



Sydney: 26 Roger Street, Brookvale, NSW 2100, Ph: 9939 9848
 South Coast: 136 Industrial Road, Oak Flats, NSW 2529, Ph: 4256 5555

sales@thefireplace.com.au

www.thefireplace.com.au