



The success of the Regency Gemfire series can now be extended to outdoor living areas. All of the sophisticated, contemporary styling and quality workmanship is mirrored in this dramatic outdoor fireplace. This fireplace delivers beautiful wide angle flames amplified by a reflective stainless steel body with the choice of ceramic garden stones, reflective crystals or logs. Quality, style and durable outdoor function make this fireplace a perfect outdoor option.

#### Standard Features

- Natural gas or propane
- Stainless steel faceplate & firebox
- Stainless steel burner covered with copper crystals
- Tempered glass wind shield
- Stainless steel heat deflector
- Easy access on/off switch
- Electronic ignition
- Seasonal weather cover
- Approved for outdoor installation only
- No venting required

#### Optional Features

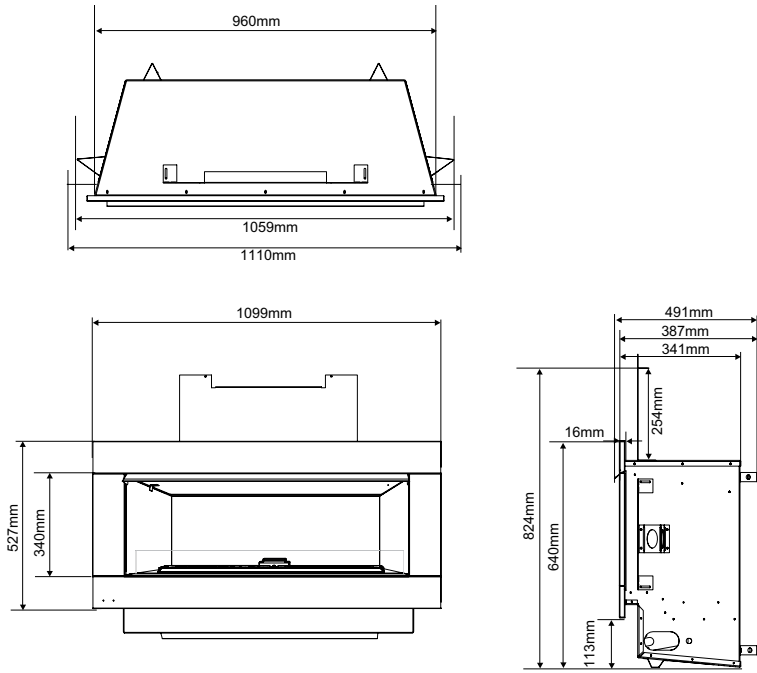
- Ceramic garden stones, crystals in various colors, ceramic log set
- Steel framing kit



Specifications	NG	LP
Input (MJ)	47	47

Dimensions	
Faceplate Width	1099 mm
Faceplate Height	527 mm
View area	2879 sq.cm

# specifications



## Firebed options



Black reflective crystals

Copper crystals

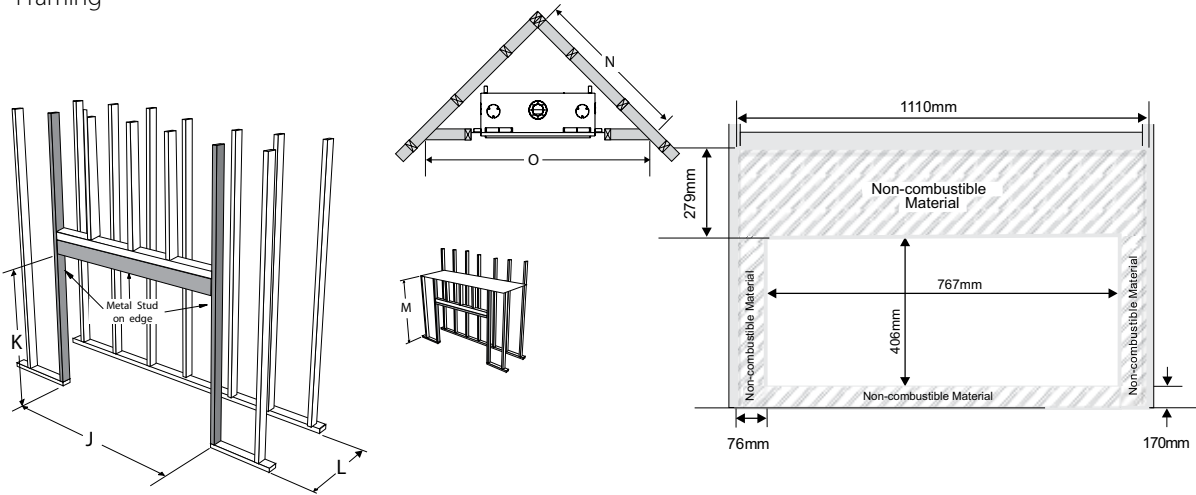
Starfire crystals



Ceramic garden stones

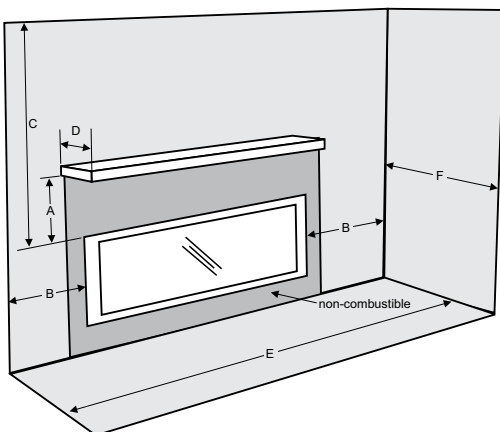
Ceramic log set

## Framing



Framing	HZO42
J	1072 mm
K	730 mm
L	508 mm
M	1334 mm
N	1027 mm
O	1376 mm

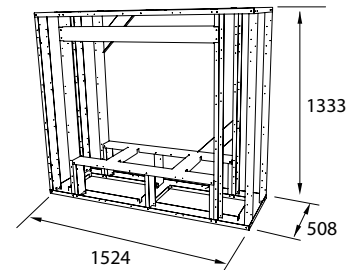
## Clearances



Clearances	HZO42
A	457 mm
B	203 mm
C	914 mm
D	304 mm
E	1148 mm
F	914 mm

## HZO42 steel framing kit

Now you can order a steel framing kit allowing you to finish this fireplace similar to the featured photo with any outdoor material.



These are guidelines only, subject to change without notice. Always refer to the actual product manual that comes with your unit for specific, current dimensions and clearances.

### Fireplace Products Australia Pty Ltd.

1 Conquest Way,  
Hallam VIC 3803  
Australia  
Phone 1 800 081 978  
Fax 03 979 97822  
Email: sales@regency-fire.com.au

### Distributor WA

**Air Group Australia**  
28 Division St.  
Welshpool WA 6106  
Australia  
Phone 08 9350 2200

your regency dealer