

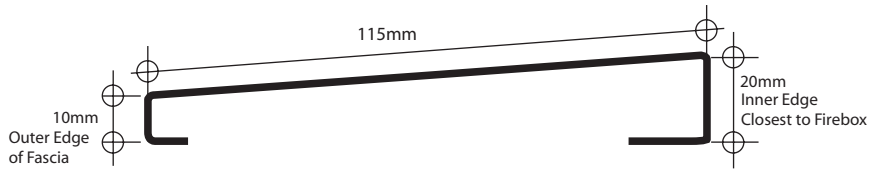
Lopi™ 564 Direct Vent Gas Fireplace

3 & 4 Sided Fascia Dimensions

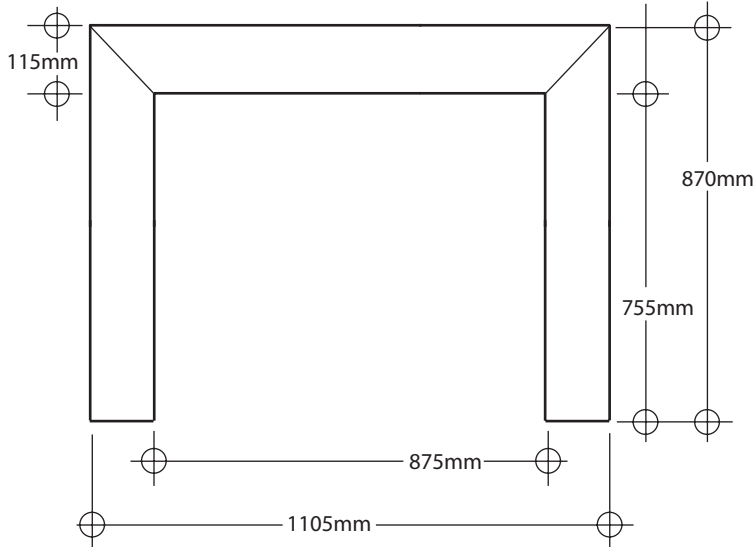
When using the 3 or 4 sided fascia for the Lopi 564
Please ensure your opening stud dimensions are as follows

3 Sided Fascia Stud Opening 935mm wide x 840mm high, height from finished hearth, heater to sit on hearth.

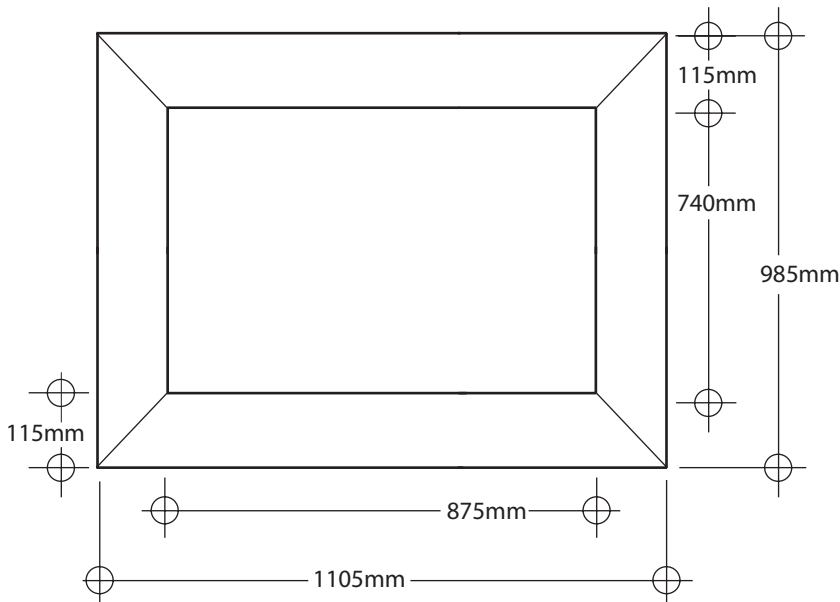
4 Sided Fascia Stud Opening 935mm wide x 850mm high. For the 4 sided fascia, allow for 10mm packing for levelling. Special 3 & 4 sided fascias can be made to order, please contact office.



3 SIDED BRUSHED S/STEEL OR BLACK



4 SIDED BRUSHED S/STEEL OR BLACK



We reserve the right to change details without notice Information correct as of April 2008