

escea.

GAS FIRE USER GUIDE
Australia and New Zealand



EF5000

www.escea.com

630114_4 Userguide Aus & NZ

Any service work carried out on this appliance must only be done by a recognised escea technician or authorised personnel.

The data plate for this appliance, containing technical information and specifications, can be found to the right of the control tray, near the base of the fire. To access this, the fascia must be removed.

DO NOT PLACE ARTICLES ON OR AGAINST THIS APPLIANCE.

DO NOT USE OR STORE FLAMMABLE MATERIALS NEAR THIS APPLIANCE.

DO NOT SPRAY AEROSOLS IN THE VICINITY OF THIS APPLIANCE WHILST IT IS IN OPERATION.

IT IS NOT RECOMMENDED TO OPERATE THE FIRE WITH THE FASCIA PANELS REMOVED.

THIS APPLIANCE IS NOT INTENDED FOR USE BY YOUNG CHILDREN OR INFIRM PERSONS UNLESS THEY HAVE BEEN ADEQUATELY SUPERVISED BY A RESPONSIBLE PERSON TO ENSURE THAT THEY CAN USE THE APPLIANCE SAFELY.

YOUNG CHILDREN SHOULD BE SUPERVISED TO ENSURE THAT THEY DO NOT PLAY WITH THE APPLIANCE.

THE APPLIANCE MUST BE INSPECTED BEFORE USE AND AT LEAST ANNUALLY BY AN AUTHORISED TECHNICIAN.

THIS APPLIANCE MUST BE INSTALLED IN ACCORDANCE WITH THE MANUFACTURERS WRITTEN INSTRUCTIONS.

escea. NZ LTD
17 Carnforth st, Green Island
Dunedin, New Zealand
E-mail: info@escea.co.nz
Web: www.escea.com
Phone: 64 3 478 8220

Distributed in Western Australia by

Air Group

28 Division Street

Welshpool, Perth, Western Australia

web: www.airgroup.com.au

Phone: +61 8 93502200

Distributed in Australia by

Glen Dimplex

1/21 Lionel Road

Waverley, Melbourne

web: www.glendimplex.com.au

Phone: +61 3 87873500

escea.

Contents

Basic Operation _____ 1 - 4

Removing the Fascia _____ 5

Cleaning and Maintenance _____ 6

Basic Operation

The EF5000 is operated by the switch located on the right hand side outer edge of the fascia. The basic operations possible are ON/OFF.

Before operating the fire, ensure the power transformer is plugged into the mains wall socket & turned on, and the supply is turned on.



Ignition:

To turn the fire on push the ON/OFF rocker switch to the on position. The ignition unit will start sparking and the pilot and burners will ignite almost immediately.

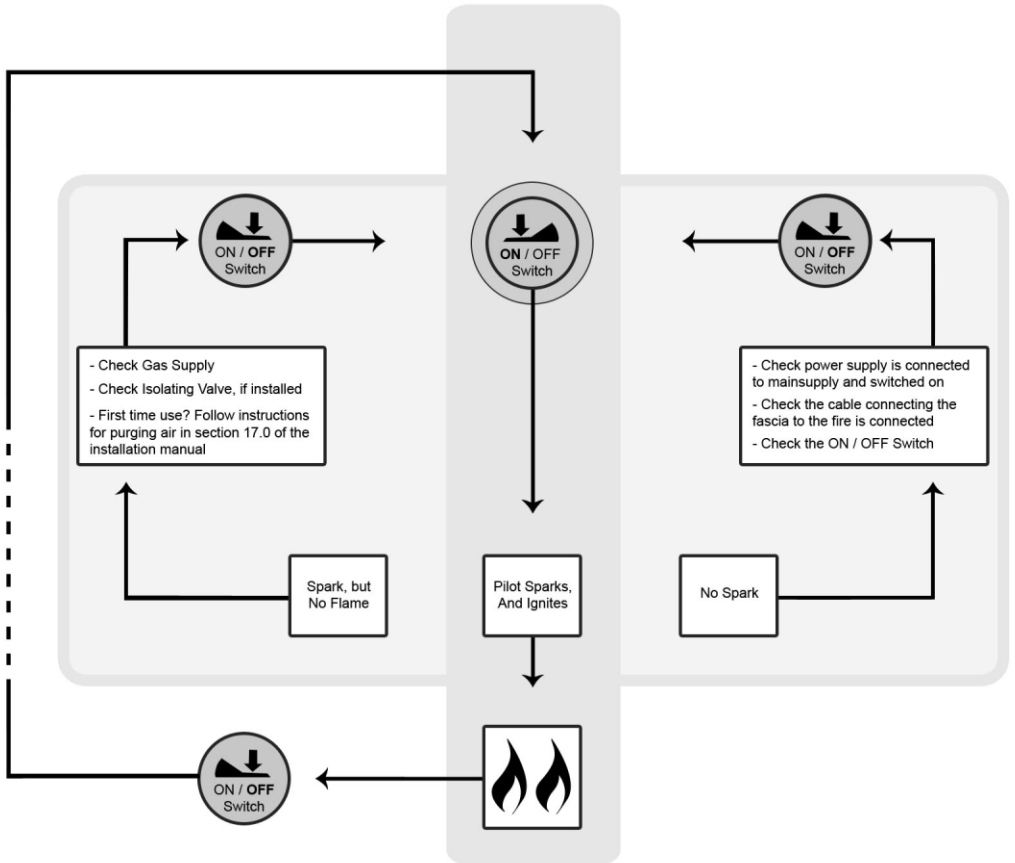
In the event of no gas, the ignition unit will attempt to try to light up to 3 times before shutting down.

Turning off the fire:

To turn the fire off, simply flick the ON/OFF rocker switch to the off position. This will shut down the gas flow to the pilot flame and both burners.

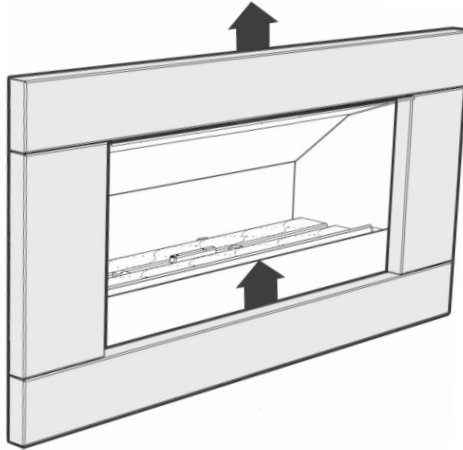
Please ensure the gas supply is also turned off, and as an extra safety please turn off the main power supply at the house.

Basic Operation

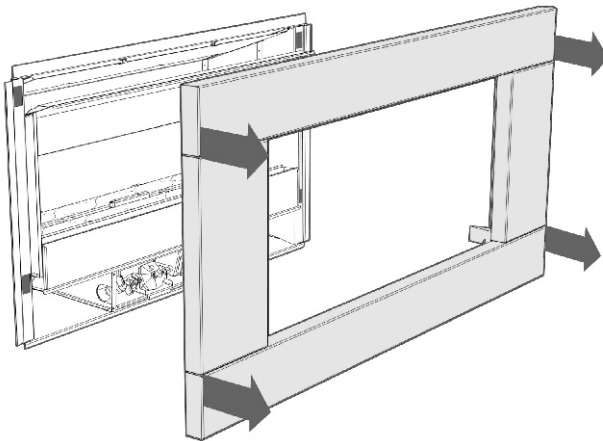


Removing the Fascia

The EF5000 Stainless Steel fascia is attached to the fire by four 'hooks' on the corners of the fascia. If you need to remove the fascia, first give the fascia a brief lift upwards as shown.



Now slide the fascia towards you until it falls into the additional slot, unplug the electrical cord. Now you can rest the Fascia on the ground.



Reverse these steps to re-fit the Fascia, ensuring the two connections are correctly plugged in by testing the fire.

Cleaning your EF5000

Note: Always ensure the fireplace is cold before starting any cleaning or maintenance.

To clean the glass and stones in the front stone tray, first remove the stones from inside the tray and the glass will then be free to slide upwards.

The glass can be cleaned using standard window cleaner. The quartz stones can be washed using soapy water

To clean the weather cover warm soapy water should be used.

Cleaning of the ceramic stones and burners can be carried out using a brush and a dry cloth

Fascia:

The Fascia is the visible surround of your Escea Gas Fireplace and must be treated carefully to prevent unsightly marks from tarnishing the visual quality of the product. Some marking over time is inevitable however, so the following directions will assist you in getting the maximum enjoyment from your Escea Gas Fireplace.

Never ever rub the fascia.

The outside of an Escea Fascia must only be cleaned with a soft microfibre cloth. If heavier cleaning is required for the likes of grease or stubborn fingerprint removal we recommend the use of Steel Kleen brand Ezi Wipes. These wipes have been tested by Escea technicians and produce very satisfying results, when used correctly. Instructions

Cleaning your EF5000

For Stainless Steel Fascias:

1. Ensure that the Gas Fireplace is off, and that the fascia is cold.
2. Using the gloves provided with your fascia, remove the towelette from the sachet and wipe the fascia with even, straight strokes.
3. Make sure your strokes follow the direction of the grain or brush finish. Wiping across the grain can leave small scratches.
4. The wipe will leave a very fine film over the fascia, ensure this film is distributed evenly.
5. If the film is applied too heavily and is quite visible, you can remove the excess by gently wiping dry with a microfibre cloth. Ensure your strokes still follow the direction of the grain or brush finish.
6. Ensure that no film is applied to the glass of your Escea Gas Fireplace. If applied accidentally, wipe off with an absorbent microfibre cloth.

For Powder Coated Fascias:

1. Ensure that the Gas Fireplace is off, and that the fascia is cold to the touch.
2. Using the gloves provided with your fascia, remove the towelette from the sachet and wipe the fascia with even, straight strokes.
3. Because the wipe leaves a protective film over the fascia, the entire fascia will need to be wiped to avoid seeing a difference in surface texture. Ensure this film is distributed evenly.
4. If the film is applied too heavily and is quite visible, you can remove the excess by gently wiping dry with a microfibre cloth
5. Ensure that no film is applied to the glass of your Escea Gas Fireplace. If applied accidentally, wipe off with an absorbent microfibre cloth.