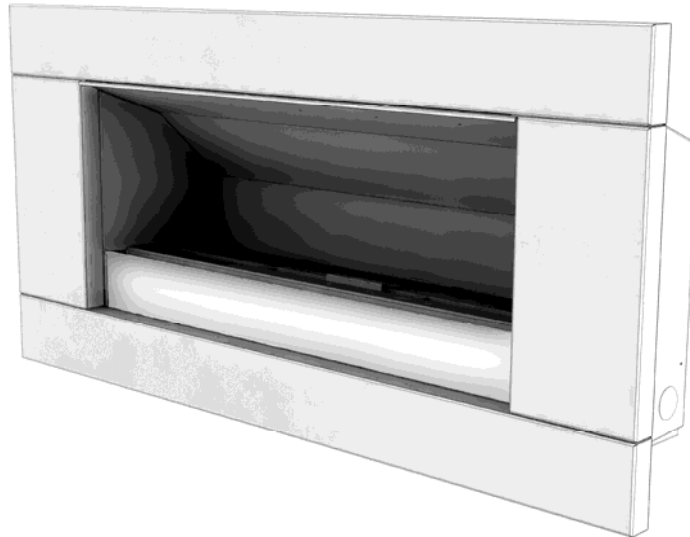

Information for Builders & Architects

EF5000 – AUS v 1.0



Important:

The appliance shall be installed in accordance with;

- Local gas fitting regulations
- Municipal building codes
- NZ5261: 2003 *Gas Installation*, and AS 5601
- Any other relevant statutory regulations.
- TO BE INSTALLED ONLY BY AN AUTHORIZED PERSON
- THIS APPLIANCE MUST NOT BE INSTALLED OR USED INDOORS
- INSTRUCTIONS MUST BE LEFT WITH THE CONSUMER AND THE CONSUMER TO RETAIN THEM FOR FUTURE REFERENCE.

Warning:

Installation of appliances fitted to fixed gas supply systems and repair of all appliances must be carried out by a qualified service person.

A qualified service person should inspect and service this product at least annually.

This Gas Fire is for outdoor use only.

Manufactured by: Escea Ltd, PO Box 5277 Dunedin NZ, Ph: +64 3 478 8220, email: info@escea.net
For contact details of your local Escea distributor or dealer please visit www.escea.com

1.0 Product Description:

The escea EF5000 flame effect gas fire is designed for outdoor use only. This appliance requires no flue and must be permanently installed into a cavity. It may be installed into a timber cavity.

The fire is controlled by the user from a switch that is situated on the lower right hand side of the stainless steel fascia.

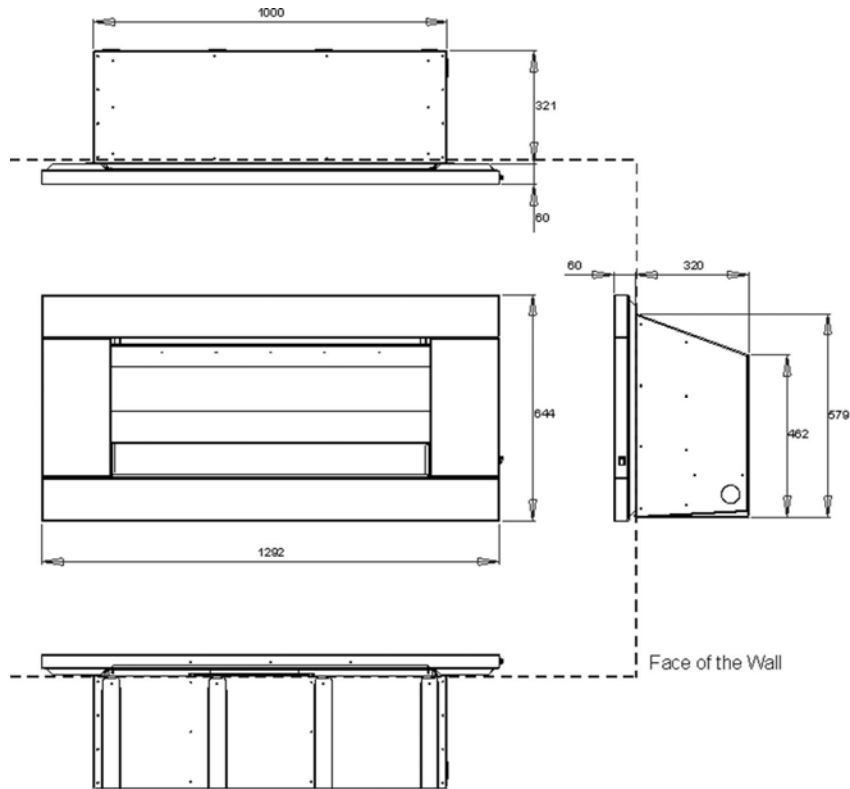
Gas Specifications:

- Heat Output: = 16.5kW
- Gas Input: = 60 MJ/h
- Gas Connection = Lower Left Rear

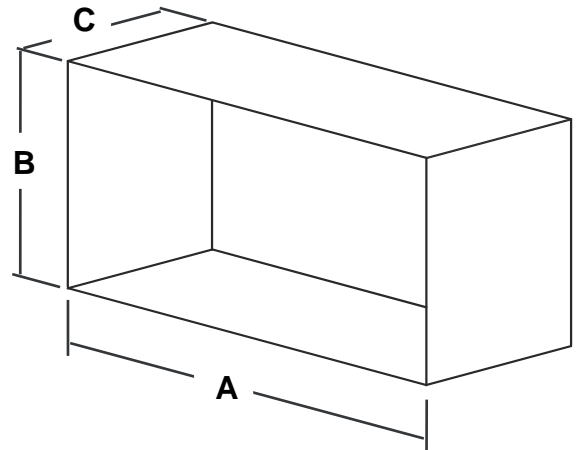
Power Required:

External power supply.

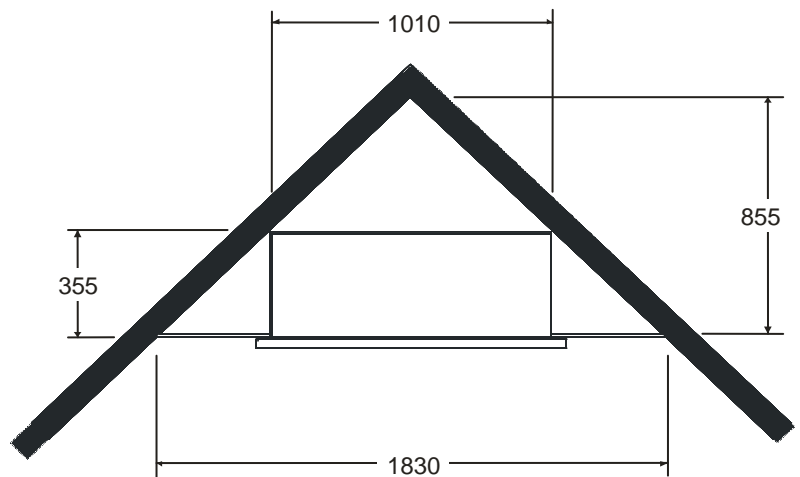
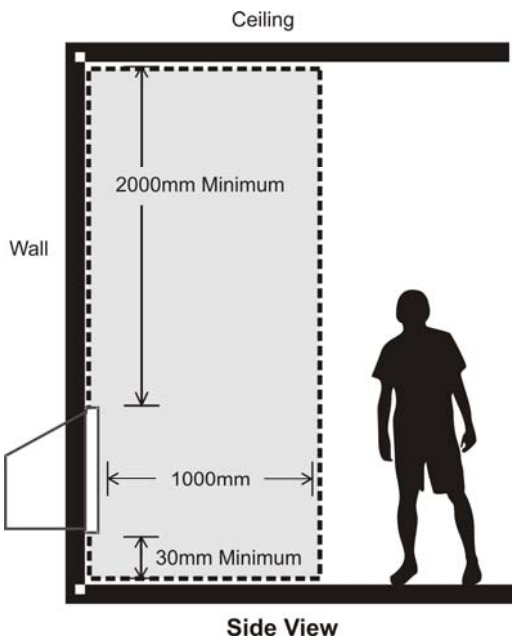
Warning: Do not install a TV above this fire under any circumstances.



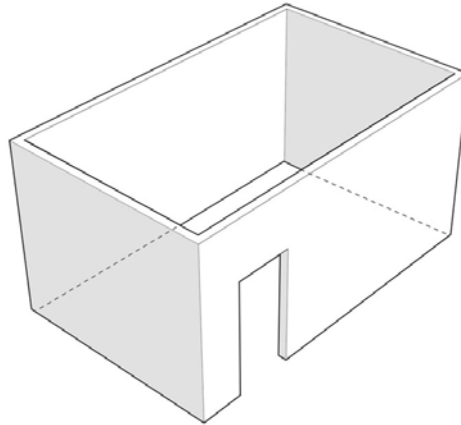
Minimum Cavity Dimensions		
A	B	C
1010 mm	585 mm	330 mm



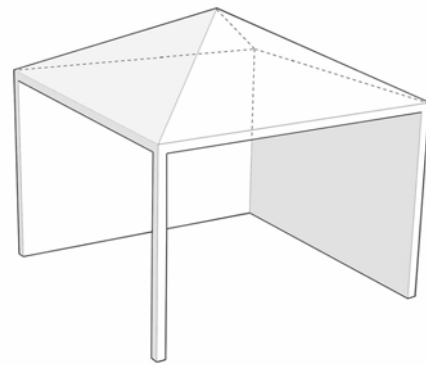
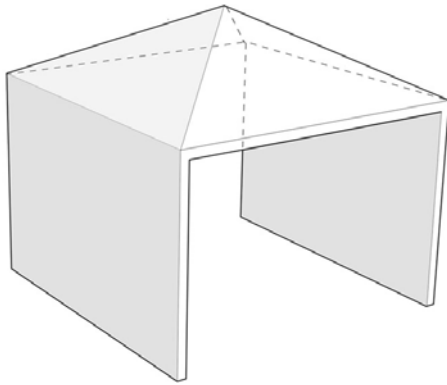
Clearances:



- An enclosure with walls on all sides, but at least one permanent opening at ground level and no overhead cover.



- Within a partial enclosure that includes an overhead cover and no more than two walls.



- Within a partial enclosure that includes an overhead cover and more than two walls, the following shall apply:

- At least 25% of the total wall area is completely open, and
- At least 30% of the remaining wall area is open and unrestricted

