



ELECTRIC | FIRES

A WARM WELCOME

It's never been so easy to get the warm inviting atmosphere of a real flame fire with all the convenience, versatility and efficiency of electricity.

Using the latest Flame-Effect Technology, Gazco has created a beautiful range of fires and stoves that provide a versatile and stunning focal point for any home – and all without the need for a chimney!

Whether you want to achieve a modern, contemporary look or a more classic, traditional interior, this brochure will help you make the perfect choice, whatever your style or budget.

Warranty Information

Castworks will provide you with a Two Year Warranty for your new electric fire. The guarantee will only be valid during the second year, to the extent permitted by law, if the appliance has been regularly maintained by the customer as detailed in the maintenance section of the Installation and User instructions. Please note, this warranty excludes certain consumable parts. Full warranty details are available at www.castworks.com.au



STUDIO ELECTRIC | SIZES

The outstanding Studio Electric range is available in a choice of three portrait and landscape sizes. With a choice of contemporary styles and simple 'hang on the wall' installation, these advanced technology electric fires can add stylish warmth to almost any room in your home with the ultimate ease. All Studio Electric fires benefit from remote operation and feature an additional thermostatic control.

Studio 22

The Studio 22 adds instant presence and vertical definition to any modern interior. With its unusual yet highly attractive portrait form, a Studio 22 Electric is perfect for the contemporary living room but equally suitable for creating a talking point in the dining room or making a designer statement in the study or office. On milder evenings, just sit back and enjoy the flickering flames without the heat or bring some cosy warmth to your room with a variable 0.45kW - 0.90kW heat output.

Studio 1

The highly efficient Studio 1 is the most compact landscape model in the range, making it the perfect choice when you are looking for a dramatic focal point in a smaller interior. As with all Gazco Electric Studio fires, you can tailor the atmosphere to suit your mood or occasion. On the Studio 1 you can vary the heat output between 0.9kW or 1.8kW, and you even have the option to enjoy the effect of the fire without the heat at all.

Studio 2

For effortless style and maximum impact, opt for a Studio 2 Electric fire. The larger dimensions make an eye-catching focal point on larger walls and accentuate the highly realistic LED flame effect. The Studio's remote provides complete control over the heat and flame settings from your fingertips. With a variable heat output between 0.9kW or 1.8kW, and the option of running just the flame effect by itself, the Studio 2 offers complete versatility for your home.



Studio Electric sizes shown with Verve frame

Cover image left: Riva2 670 Electric Verve

Cover image right: Riva Vision Medium Electric

This page: Top: Riva2 670 Electric Verve XS in Graphite

Middle: Riva Vision Medium Electric

Bottom: Studio 1 Electric Glass

STUDIO ELECTRIC | GLASS



Studio Electric 22 Glass

Sleek, chic and contemporary, the Studio Electric Glass offers a distinctive focal point that will complement any stylish interior. Available in three sizes, there's a Studio Electric Glass to offer instant striking impact, whatever your room size.

Easy to fit, this designer fire can simply be hung on the wall and its shallow depth means it will only protrude minimally into your room.

A stunning flame-effect with 4 levels of brightness is available at the touch of a button on your remote control. You can alter the heat output to suit your requirements, or you can even enjoy the stunning LED flame-effects with no heat at all!

Gazco's range of Studio Electric Fires has also been uniquely developed so that the fan operation controls both the heat output and flame-effect simultaneously, offering not only product efficiency, but also, one of the quietest fan-assisted electric fires available.

Finish: Black Glass
Efficiency: 99%

Fire	Heat Output	Frame Dimensions (mm)
Studio 1	0.9kW - 1.8kW	1120w x 675h x 118d
Studio 2	0.9kW - 1.8kW	1320w x 675h x 118d
Studio 22	0.45kW - 0.9kW	675w x 1320h x 118d



Remote Control

For detailed information please see page 11.

STUDIO ELECTRIC | VERVE

The stylish Studio Electric Verve has a beautifully curved frame in a stylish graphite finish, making a striking designer statement to be appreciated from all angles. Whether it's a luxurious living room or a stylish study, the hang-on-the-wall Studio Electric Verve is incredibly versatile with two landscape sizes and a portrait option.

This designer fire heats your room on command from your remote control. With two adjustable heat settings and four flame brightness levels, you can create the perfect atmosphere for every situation. Simply plug in your Studio Electric Verve and instantly enjoy the inviting glow created by our unique LED flame-effect technology.

The Studio Electric Verve comes with a removable White Stone fuel bed effect, so that you can select a minimalist contemporary effect without the fuel bed or a more natural look with the White Stones.

Finish: Graphite
Fuel Bed Effect: White Stones
Efficiency: 99%

Fire	Heat Output	Dimensions (mm)
Studio 1	0.9kW - 1.8kW	1320w x 640h x 155d
Studio 2	0.9kW - 1.8kW	1520w x 640h x 160d
Studio 22	0.45kW - 0.9kW	676w x 1320h x 156d



Remote Control

For detailed information please see page 11.



Studio electric 2 Verve

RIVA2 ELECTRIC | 670



Riva2 670 Electric Verve in Graphite

The popular Riva2 670 is the ideal size for a new build or to fit into an existing chimney cavity that is not being used.

For a streamlined aesthetic the Riva2 670 Electric can be slotted into a pre-constructed hole. Alternatively you can use the optional wall mounting box to hang your fire on the wall.

There are several sophisticated frame options that complement the landscape shape of the Riva2 670 Electric and its simple, chic designs will be at home in a wide array of interiors.

Finish: Evoke Black Glass, Verve XS Graphite , Verve Graphite
 Fuel Bed Effect: Logs
 Efficiency: 99%

Heat Output	Appliance Dimensions (mm)
1.0kW - 2.0kW <i>(or flame effect only)</i>	665w x 535h x 105d



Remote Control

For detailed information please see back page.

Frame options for Riva2 670:



Verve XS Graphite
 1000 x 621 x 56mm (w x h x d)



Verve Graphite
 1325 x 621 x 59mm (w x h x d)



Evoke Black Glass
 920 x 622 x 41mm (w x h x d)

LOGIC ELECTRIC | BOX



Logic Electric Box Profil with Polished Steel effect fret and Polished effect frame

The Logic Electric combines understated elegance with state-of-the-art modern technology. Designed to fit into a standard fireplace opening or a 3" rebated mantel with slip, it offers easy installation, ease of use and a fantastic log effect flame visual. Additionally, by using the optional spacer frame, your Logic Electric fire can even be fitted directly onto a flat wall.

The Logic Electric Box Profil takes its design origins from the Arts movement in the early twentieth century and the evocative style has influenced this contemporary fire with a choice of eleven frame and fret combinations.

A choice of 2 heat settings and 4 levels of flame brightness are all controlled using the remote. You can even enjoy the warm ambiance created by Gazco's highly realistic flame-effect technology with no heat at all. All Logic Electric fires also benefit from an additional thermostatic control.

Fuel Bed Effect: Logs
Efficiency: 99%

Heat Output	Dimensions (mm)
1kW - 2kW	511w x 609h mm

Frame Choice	Fret Choice
Matt Black	Matt Black, Polished effect, Highlight Polished
Brushed Steel effect	Matt Black, Polished effect, Highlight Polished



Remote Control

For detailed information please see back page.

LOGIC ELECTRIC | PROGRESS

Smooth curves and an exquisite Iridium finish are the hallmarks of the Logic Electric Progress. This modern technology fire offers a choice of 2 heat settings and 4 levels of flame brightness that are all controlled from the remote control. On milder evenings you can even enjoy the ambiance without the warmth, as Gazco's highly realistic flame effect can run independently to the heater. The Logic Electric also benefits from an additional thermostatic control.

Designed to fit into a standard fireplace opening or flat against the wall with either a 3" rebated mantel with slip or by using the optional spacer frame, the Logic Electric offers easy installation, ease of use and a fantastic log effect flame visual.

Colour: Iridium
Fuel Bed Effect: Logs
Efficiency: 99%

Heat Output	Dimensions (mm)
0.9kW - 1.8kW	520w x 602h



Remote Control

For detailed information please see back page.



Logic Electric Progress

RIVA VISION ELECTRIC | FREESTANDING



Riva Vision Medium Electric

The Riva Vision is a contemporary, electric stove sporting a highly reflective black glass door, integral glass plinth, black glass top plate and contrasting stainless steel detailing for a clean stylish look.

Incorporating an eye-catching effect created using Gazco's unique Veriflame™ technology, the Riva Vision's alluring visuals glow over a realistic hand painted log-effect fuel bed to give all the ambiance and depth of a real log fire.

The three brightness levels can be easily altered on the remote control to create a look to suit your mood. There is a blue flame-effect setting that adds an extra visual dimension to the highest of the brightness levels and helps to increase the overall realism of this stunning fire. Each level is available with or without the 1-2kW of heat output, so you can enjoy the ambience of your electric stove whatever the season!

To increase your interior design possibilities, you can enhance your Riva Vision electric stove by choosing from one of the stylish Riva Benches as shown on page 11.

Fuel Bed Effect: Logs
Efficiency: 99%

Heat Output	Dimensions (mm)
1.0kW - 2.0kW <i>(or flame effect only)</i>	535w x 676h x 363d



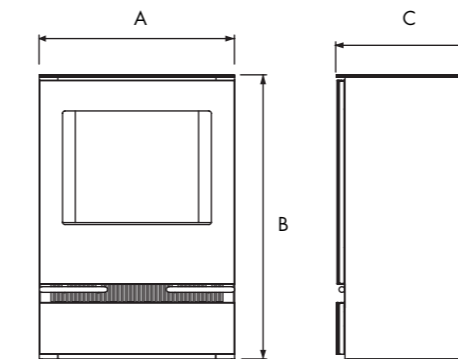
Remote Control

For detailed information please see back 11.

TECHNICAL | INFORMATION

The information on this page is to assist in your choice of a suitable Gazco Electric fire. Detailed installation instructions can be obtained from your local Gazco retailer or you can download the full installation instructions from castworks.com.au

Riva Vision Electric



RIVA VISION FIRE DIMENSIONS (mm)

Model	A	B	C
Medium	535	676	363

RIVA VISION FIRE INFORMATION

Model	Finish	Fuel Effect	Heat Output	Efficiency
Medium	Black Glass	Logs	1.00 - 2.00kW	99%

Riva Benches

- Sturdy steel construction
- Choice of 4 widths & 2 heights
- Durable matching black finish
- Proportioned 60mm wide legs
- Allows for central or offset stove positioning



100 High
(1000 x 350 x 420mm)



120 High
(1200 x 350 x 420mm)



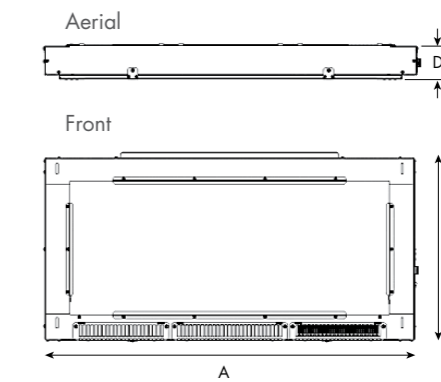
100 Low
(1000 x 250 x 420mm)



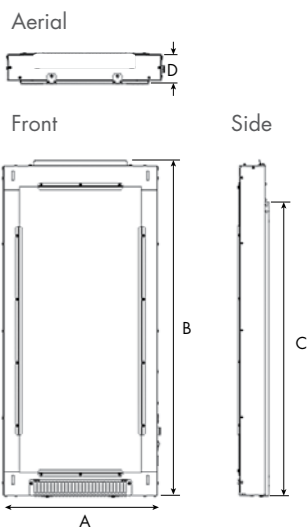
120 Low
(1200 x 250 x 420mm)

Studio Electric

STUDIO ELECTRIC 1 & 2



STUDIO ELECTRIC 22



STUDIO ELECTRIC FIRE DIMENSIONS (mm)

	Studio 1	Studio 2	Studio 22
A	822	1045	492
B	549	549	1062
C	416	416	929
D	98	98	98

STUDIO ELECTRIC FIRE INFORMATION

Model	Frame	Finish	Fuel effect	Heat Output	Efficiency
Studio 1	Verve	Graphite	White Stones	0.90 - 1.80kW	99%
Studio 1	Glass	Black Glass	-	0.90 - 1.80kW	99%
Studio 2	Verve	Graphite	White Stones	0.90 - 1.80kW	99%
Studio 2	Glass	Black Glass	-	0.90 - 1.80kW	99%
Studio 22	Verve	Graphite	White Stones	0.45 - 0.90kW	99%
Studio 22	Glass	Black Glass	-	0.45 - 0.90kW	99%

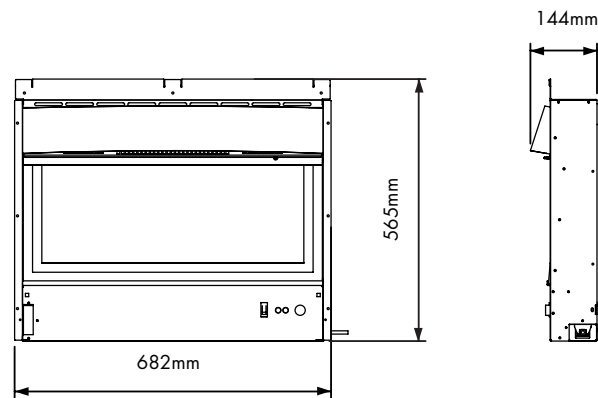


The Studio Electric range has been approved and certified to the relevant requirements by SGS Australia and carries the safety identification SGSEA/110861

TECHNICAL | INFORMATION

The information on this page is to assist in your choice of a suitable Gazco Electric fire. Detailed installation instructions can be obtained from your local Gazco retailer or you can download the full installation instructions from castworks.com.au

Riva2 670 Electric



RIVA 2 670 FIRE INFORMATION

Fuel Effect	Heat Output	Efficiency	Opening Size (mm)		
			w	h	d
Logs	1.00 - 2.00kW	99%	665	535	105

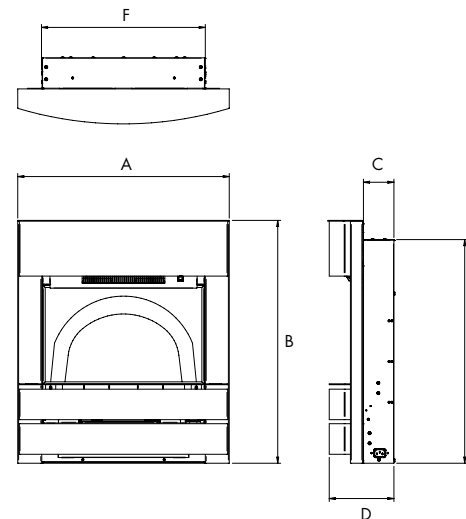
RIVA 2 670 ELECTRIC ACCESSORY

Wall mounting box for Riva2 670 Electric Cassette 234-872

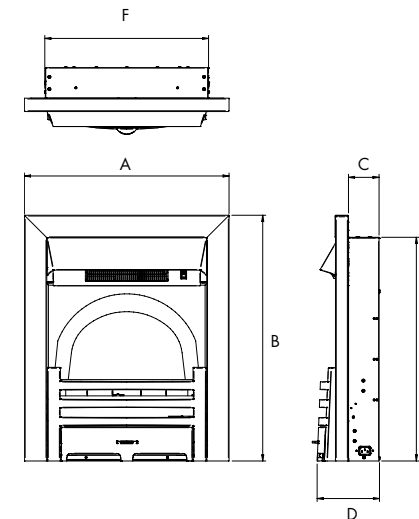
The wall mounting box allows you to hang your Riva2 670 directly onto the wall, without the need for an opening or recess.

Logic Electric

LOGIC ELECTRIC PROGRESS FRAME



LOGIC ELECTRIC BOX PROFIL FRAME



LOGIC ELECTRIC DIMENSIONS (mm)

	A	B	C	D	E	F
Logic Electric Progress	520	602	74	160	561	403
Logic Electric Box Profil	510	609	74	163	561	403
Logic Electric Progress with Spacer Frame	520	602	80	166	561	403
Logic Electric Box Profil with Spacer Frame	510	609	80	169	561	403

LOGIC ELECTRIC OPTIONAL SPACER FRAME†

Logic Electric Box Profil Spacer Frame - Black
Logic Electric Progress Spacer Frame - Graphite

† Logic Electric Spacer Frames are for use when installing onto a flat wall.

castworks
home heating specialists

DISTRIBUTORS
FOR

GAZCO
Fire Your Imagination

57 Industrial Drive, Braeside, Victoria 3195

Tel: 03 9588 1169 Fax: 03 9588 2670 Email: info@castworks.com.au

Web: www.castworks.com.au • www.gazco.com



© All material copyright Castworks 2014