

CONTENTS.

Safety Instructions	Pg1	Spacing & Dimensions	Pg7
Technical Data	Pg3	Extraction	Pg8
Unpacking your New Cooker	Pg3	Control Panel	Pg8
Installation	Pg4	Ovens, Grill & Warming Cupboard	Pg9
Connecting your Cooker	Pg5	Induction Zone	Pg11
Before Using Your Cooker	Pg5	Cast Iron Hotplate	Pg13
Your Cooker	Pg6		

SAFETY INSTRUCTIONS.

Please read these operating instructions carefully for full information on the safe installation, use and care of your new Esse appliance.

This appliance must be correctly installed in accordance with the manufacturer's instructions by a suitably qualified person.

We cannot accept responsibility for damage to persons or items due to poor or incorrect installation of this appliance.

Make sure that the voltage and frequency of the mains supply correspond to the details on the cooker data plate which is located on the inner door panel of the lower right hand oven door.

Maintenance and servicing work must only be carried out after the power supply has been disconnected by switching off at the socket and removal of both plugs.

Due to our policy of continuous innovation, we reserve the right to adjust or modify our product without prior notification.

Do not let children near the oven during use to avoid the danger of burns or injury. Use of the appliance by the elderly or infirm should be supervised.

WARNING: The appliance and its accessible parts become hot during use. Care should be taken to avoid touching heating elements. Children less than 8 years of age shall be kept away unless continuously supervised.

This appliance can be used by children aged from 8 years and above and persons with reduced physical, sensory or mental capabilities or lack of experience and knowledge if they have been given supervision or instruction concerning use of the appliance in a safe way and understand the hazards involved. Children shall not play with the appliance. Cleaning and user maintenance shall not be made by children without supervision.

WARNING: Unattended cooking on a hob with fat or oil can be dangerous and may result in fire, **NEVER** try to extinguish a fire with water, instead switch off the appliance, cover the flame with a lid or use a fire blanket.

WARNING: Danger of fire: do not store items on the cooking surfaces.

WARNING: If the Induction zone glass is cracked or broken the cooker **MUST NOT BE CONNECTED** and no part of it may be used. Switch off and unplug the appliance to avoid possibility of electric shock.

Metallic objects such as knives, forks, spoons and lids should not be placed on the hob surface since they can get hot.

Any spillages on the heat conserving lids should be removed from the lid before opening.

Induction Zone: After use, switch off the hob element by its control and do not rely on the pan detector.

During cooking, food naturally produces steam, which is vented away to prevent excessive build-up within the ovens. As steam can condense to water droplets on the cooler outer trim of the oven, it may be necessary during cooking to wipe away any moisture with a soft cloth. This will also help to prevent soiling and discolouration of the oven exterior by cooking vapours.

TECHNICAL DATA

MODEL	ESSE EL ELECTRIC	VOLTAGE	250V
INPUT	2 X 13 AMPS	SUPPLY	50 HZ ac
SERIAL No.	EL ----		

The cooker data plate is located on the inner door panel of the lower right hand oven.

UNPACKAGING YOUR NEW COOKER.

Unpack your New Esse Cooker, removing all of the outer packing and accessories from the top and bottom ovens, including protective film on the door liners. At this time please examine the cooker for any damage to the enamel finish and hob glass.

Any damage to the cooker or anything missing, please contact your supplier for advice.

We ask that you dispose of any packaging in a safe responsible manner and recycle where possible.

INSTALLATION.

Dear Installer

Before you start your installation, please complete the details BELOW.

Installer's Name
Installer's Company
Installer's Telephone number
Appliance Serial number

If your customer has a problem relating to your installation, they will be able to contact you easily.

You must be aware of the following safety requirements & regulations:

This appliance shall be installed in accordance with the regulations in force and in a well-ventilated space. Read the instructions before installing or using this appliance.

The cooker must be installed in accordance with:
All relevant British Standards / Codes of Practice
The relevant Building / IEE regulations

Location of the Oven

This appliance is designed for domestic cooking only. Use for any other purpose could invalidate any warranty or liability claim.

CONNECTING YOUR COOKER

For your own safety we recommend that a competent person installs your cooker. This cooker is designed to be installed using two standard 13 Amp plugs. A qualified electrician is not required.

Electrical connection

Ovens with a three-pole power supply cable are designed to operate with alternated current at the supply frequency and voltage indicated on the data plate (located on the inner door panel of the lower right hand oven door).

Connecting the power supply cable to the mains.

The appliance is supplied fitted with two 1.5 metre cables and two normalized 13 amp plugs which correspond to the load indicated on the data plate. Before making the connections check that: the circuit breakers or fuses of the home system can support appliance load (see data plate); the power supply system has a sufficient earth connection which complies with the provisions of current regulations and the law; there is easy access to the socket. Do not use reducers or adapters as these could cause heating or burning.

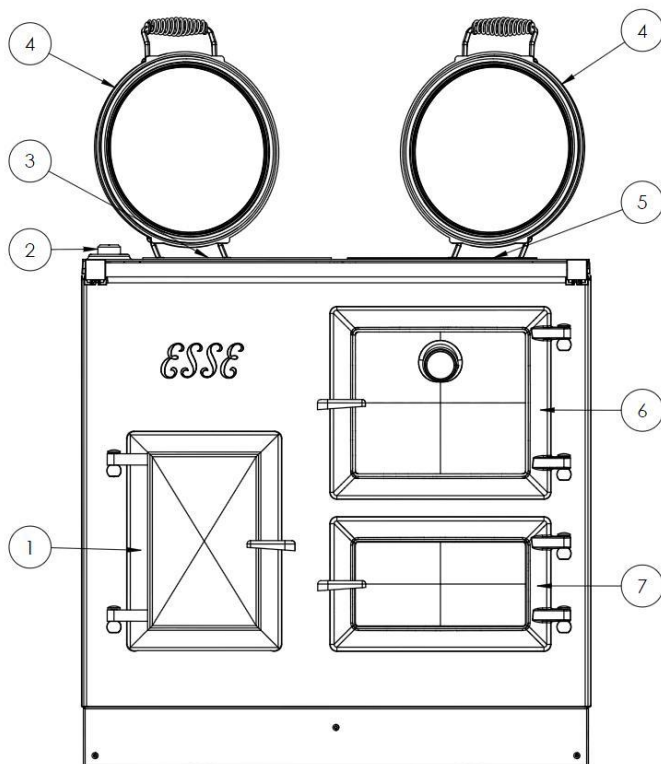
BEFORE USING YOUR COOKER

Remove plastic protective covers from inner door panels; lift up lids and hinge covers.

Before you cook for the first time, it is recommended that both ovens be switched on to the highest setting for about an hour to burn off any initial odours

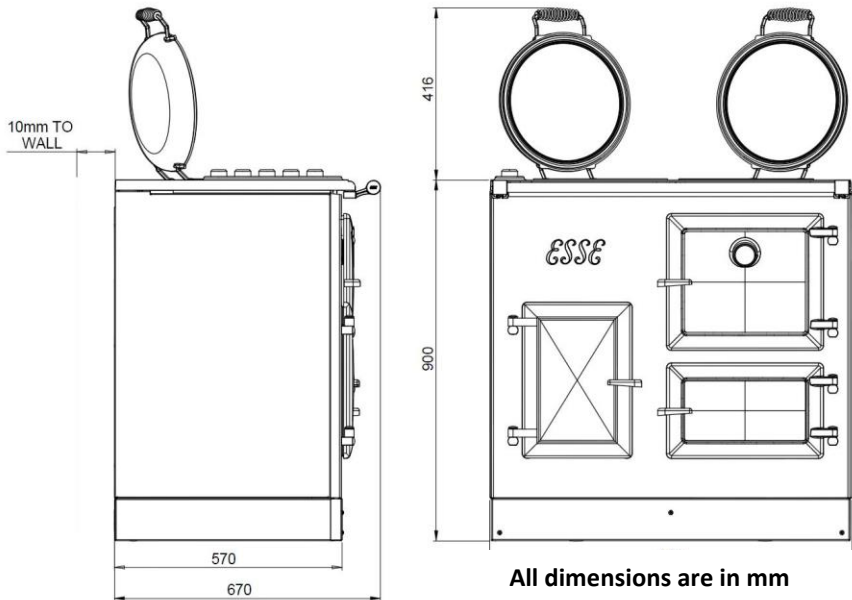
The grill should also be turned on for 15 minutes with the top oven door left open, before it is used for the first time.

YOUR COOKER.



1	PLATE WARMING CUPBOARD.
2	CONTROL PANEL.
3	INDUCTION ZONE.
4	HEAT CONSERVING LIDS.
5	CAST IRON HOTPLATE.
6	TOP OVEN & GRILL.
7	BOTTOM OVEN.

SPACING AND DIMENSIONS.



It is recommended that a space of 10mm is left between the rear wall and the rear of the cooker for maintenance purposes.

The cooker weighs 281kg and so the floor must be capable of withstanding the load.

Make sure the cooker is level, use packing pieces if necessary.

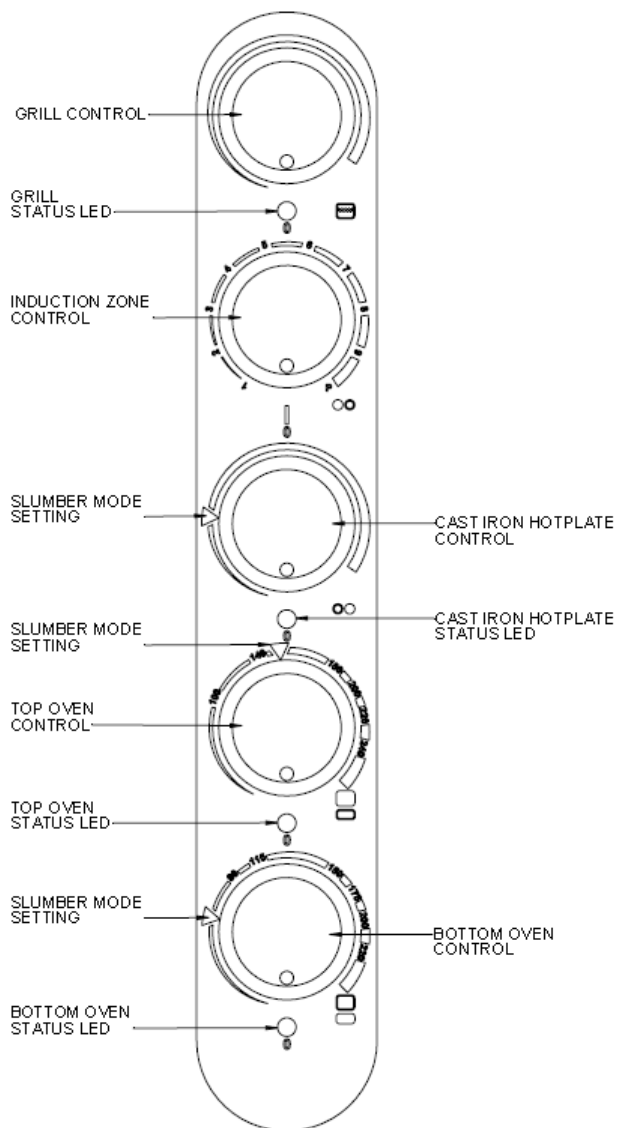
The cooker does not require access via the side panels once it is installed, however we do ask that a 3mm gap is provided between the cooker top plate and adjoining work surfaces that may be fitted, this is to allow for the safe removal of the top plate, should this be required at a later date.

It is not recommended that wall cupboards are fitted above the cooker as steam may cause damage.

EXTRACTION.

An extractor may be used with this appliance.

CONTROL PANEL



OVENS, GRILL, WARMING CUPBOARD.

The ovens work by modulating the power (Patent Pending) between the cast iron hotplate, the top oven, the bottom oven and the plate warming cupboard. If both ovens and the hotplate are on, the cooker will modulate the power to reach the selected temperatures, but if only one oven or the hotplate is turned on it will heat up more quickly.

The cooker is designed to be used on slumber mode for the majority of the day giving off a constant background heat and can then heat up quickly to the required cooking temperatures when required. However the cooker can simply be used as an On/Off appliance if required.

The cooker consumes less than 1kW in slumber mode at a room temperature of 18°C.

The top and bottom oven are controlled thermostatically and the temperature markings on the controls are in °C. To switch one of the ovens on, turn the corresponding knob clockwise to the desired temperature. The indicator light will glow red to show that the oven is heating up and will glow green when the oven has reached selected temperature. Similarly when the control is moved to a lower temperature the red light will flash until the oven has reached the selected temperature, once the selected temperature is reached the LED will glow green again. The control shows a red flashing light after the oven has been switched off to indicate residual heat.

Top Oven.

This oven has a 2kW I wrap around element (Patent Pending) and a 2kW grill element. **The grill is a full width grill and takes priority over the top oven control.** The Top oven and grill can never be on together, if the grill control is on at any position, then the top oven will not work until it the grill is switched off.

The thermometer in the top oven door is only a guide to actual oven temperature. The reading will be incorrect when the door is or has been opened and will recover once the door closed.

Lower Oven.

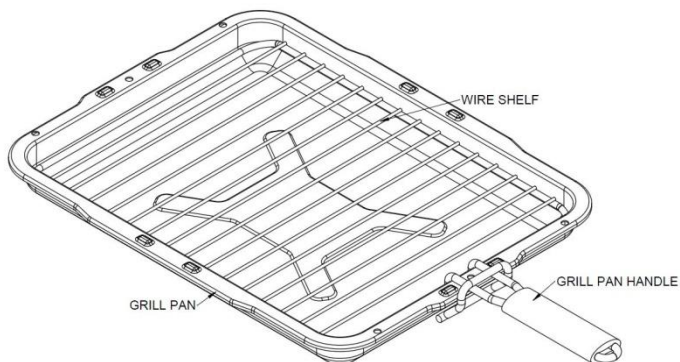
This oven has a 1.5kW wrap around element (Patent Pending) and is used as a smaller capacity, high or low temperature oven.

SAFETY POINTS.

- When using the oven shelves ensure they are placed correctly between the shelf runners.
- Always use oven gloves when removing food from either oven or the grill.

GRILL

The grill has a 2kW element fixed in the top of the top oven. Turn the control clockwise to turn the grill on and increase the temperature. When grilling place the grill pan and wire shelf onto an oven shelf which is already pre-positioned height wise in the top oven. The grill pan should be handled using the tool provided, locate the tool around the rim then move to locate it in the centre of the pan



GRILL SAFETY POINTS,

- When attaching the grill pan handle make sure it is in the middle of the grill pan,
- Do not leave the grill pan handle attached to the grill pan whilst grilling, as it will become hot. Use only when moving the grill pan,
- **Only operate the grill with the top oven door open.**
- Ensure the oven shelf height is correctly positioned before placing the grill pan on it.
- The towel rail may become **HOT** after long periods of using the grill.
- Do not place towels or any other items over the towel rail when grilling.
- Do not line the grill pan with Aluminium foil.

Warming Cupboard.

The warming cupboard is heated automatically when either oven or the Hotplate are switched on. The wire plate and cutlery basket sits inside the warming compartment and the temperature can reach up to 90°C. The plate rack holds up to six plates. Alternatively the cupboard can be used as a proving oven.

WARNING: If the cooker is on for prolonged periods, any plates left in the plate warmer will become hot!

INDUCTION ZONE

The induction zone works on a separate power supply and as such does not have a slumber mode setting but is an on demand hob. Induction zone specifications are Ø330mm with a 2kW element.

The Induction unit has 9 power settings and a timed full power boost setting (P).

LEVEL	POWER
Booster "P"	2000W
9	1500W
8	1300W
7	1100W
6	900W

LEVEL	POWER
5	700W
4	500W
3	300W
2	200W
1	100W

When selected, the boost function will deliver the full 2kW power for 10 minutes and then the induction unit will shut off. This cycle needs to be completed and the control knob turned to the (0) off position before another power level is then selected.

This Induction unit has a built in cooling fan which comes on when the induction unit is switched on and the temperature exceeds 50°C and will go off once the temperature drops below 45°C, regardless of whether the induction is turned on or off. When the unit is set to slumber mode, this should only take a matter of minutes however when the cooker is at the higher end of the temperature scale (i.e. cooking) this can take longer to turn off.

- Never use utensils with rough bases.
- It is important that any spillage is dealt with before the hob is used again, otherwise it may become baked on.
- Do not place or leave an empty pan on the hob, nor put metal utensils or objects on or too near the hob as they may become hot.
- Remove any spillage of high sugar content, such as jam, immediately. Use a pan, which is large enough to prevent boil over or spillage.
- Before using the hob for the first time we recommend you clean the glass surface with ceramic hob cleaner and conditioner, such as Hob-brite. This applies a thin protective film to the hob, making it easier to clean and prolonging its life.
- It is essential to use pans suitable for induction cooking. These have to have a ferrous content, so cast iron and magnetic stain-less steel are ideal but copper, aluminium and ceramic pans will not normally work.
- Never use the hob as a work surface as damage may occur to the smooth surface.
- The heat conserving lid should be left up after use to allow for better cooling.

CAST IRON HOTPLATE

The cast iron hob is \varnothing 330mm and has a 2.5kW Element.

From the OFF setting it takes approximately 40 minutes to reach 400°C, or 31 minutes from 150°C to 400°C when in slumber mode. Heat up times were checked with the heat conserving lid down and at a room temperature of 18°C

Always use solid machined flat base pans to ensure the best contact on the hotplate and subsequent heat transfer. Cast iron pans usually work well.

- Never use utensils with rough bases.
- It is important that any spillage is dealt with before the hob is used again, otherwise it may become baked on solid and difficult to remove.
- Always keep the hotplate cover down when the hob is not in use to conserve energy.