

Additions - Built-In Series / GrandFire /

Side Burner

Model: GFKSB1

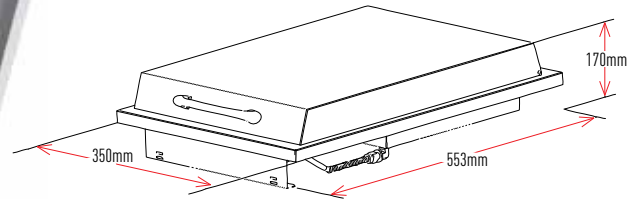
Constructed with 443 stainless steel

18.5MJ/h burner

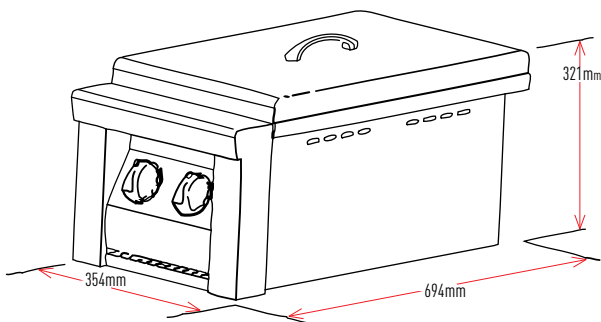
Self ignition valve system

Fueled by LPG or NG

Built-in design for any outdoor kitchen



Cut out dimensions: 280W x 485H x 150D mm



Cut out dimensions: 316W x 591H x 272D mm



Double Side Burner

Model: GFKSB2

Constructed with 443 stainless steel

2 x 18.5MJ/h burners

Self ignition valve system

Fueled by LPG or NG

Built-in design for any outdoor kitchen

30" Beverage Center

Model: GFKBC

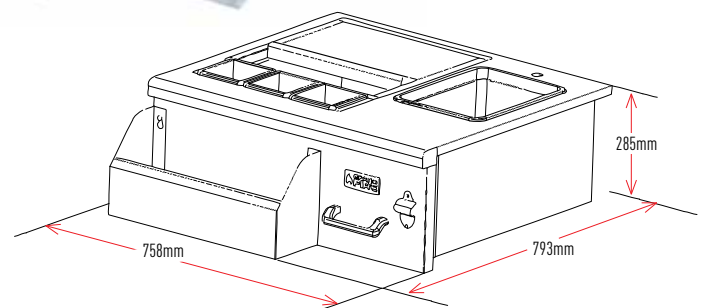
Quality 304 stainless steel

Inbuilt sink

Three removable condiment trays

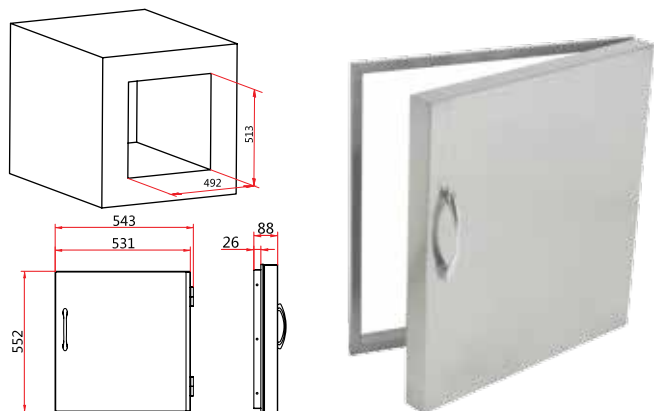
Large, well insulated ice chest with drain connection

Bottle opener and speed rack



Cut out dimensions: 712W x 260H x 600Dmm

/ GrandFire / Additions - Built-In Series

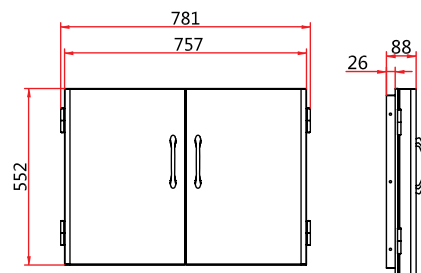
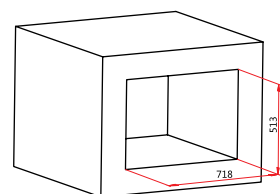


Stainless Steel Single Vertical Door

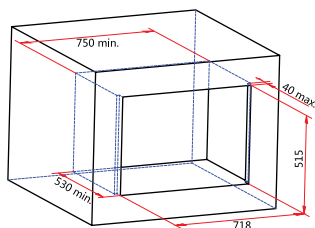
Model: *GFK2101*

Cut out dimensions: 492W x 513H x 530D mm

Stainless Steel Double Doors



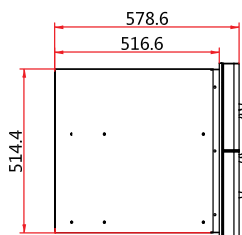
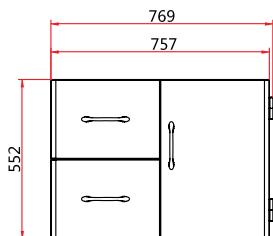
Cut out dimensions: 718W x 513H x 530D mm



Stainless Steel Door / Drawers

Model: *GFK3002*

For added convenience, GrandFire offers Built-in SS Doors & Drawers Combo that fit perfectly under your built-in grills. This combination of a single access door and a dual drawer, adds a space saving design feature to any island.



Cut out dimensions: 718W x 515H x 530D mm